

PENDANT
AUTOMATION

CONTROL DRAWINGS FOR:

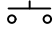
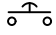

ST. GOBAIN – 630 T BLUE PRESS
CONTROLS UPGRADE
BUS BOX 1 – 300

REVISION A2 – AS COMMISSIONED

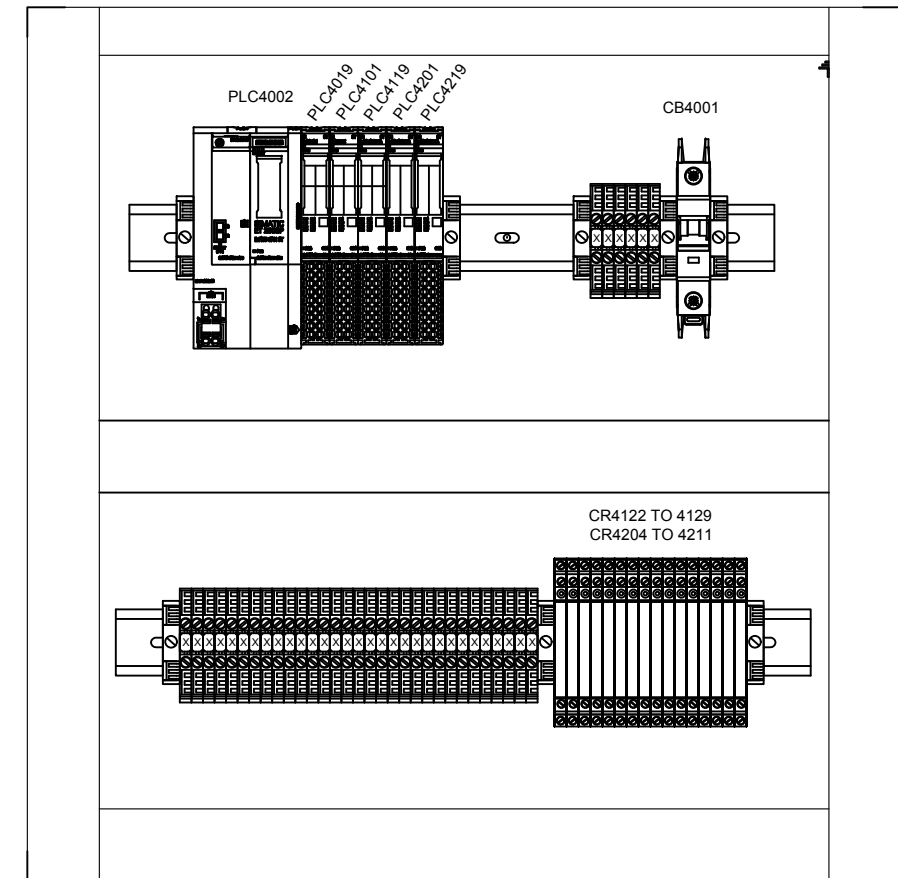
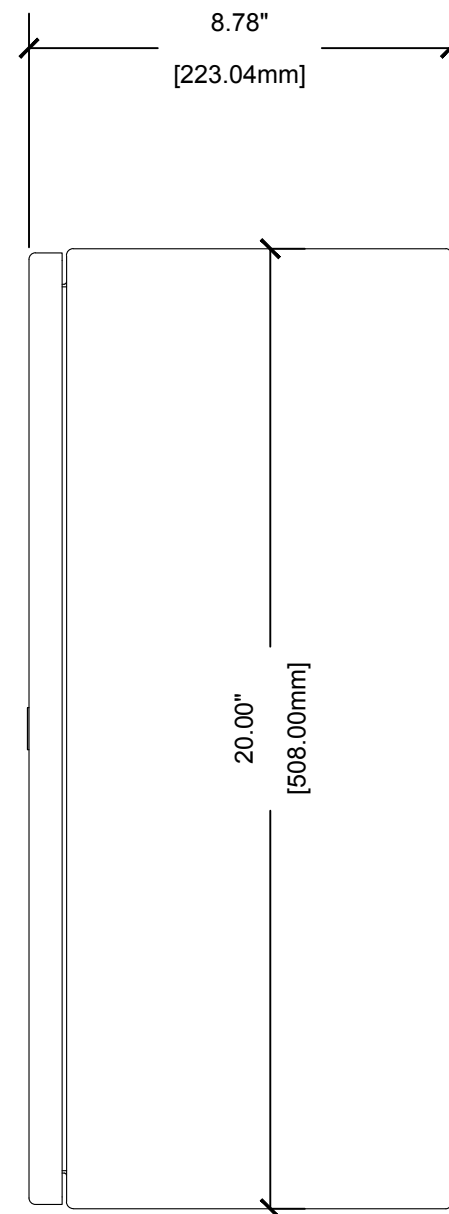
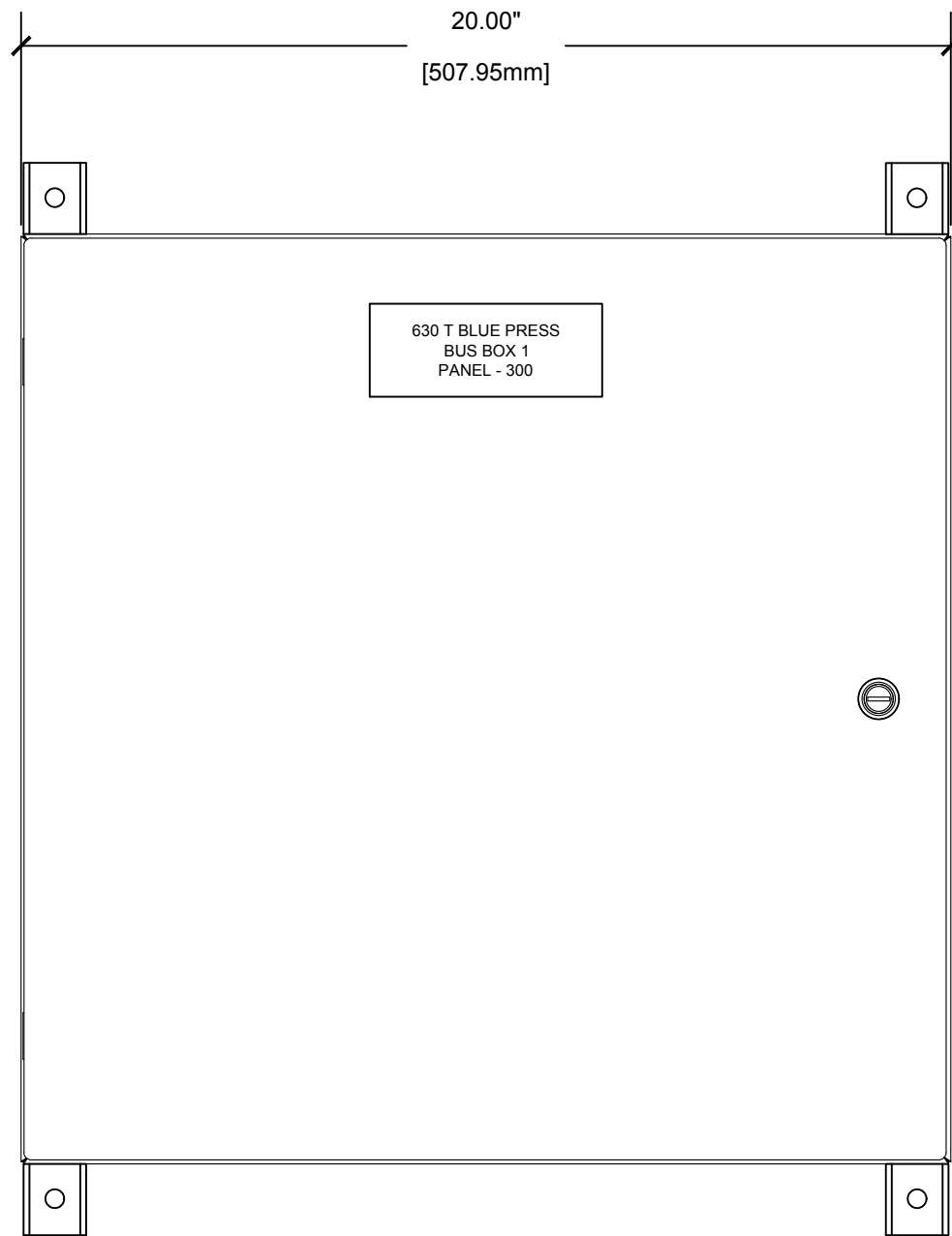
ABBREVIATIONS

AH AUDIBLE/ALARM HORN	OL OVERLOAD
AR ALTERNATION RELAY	PB PUSHBUTTON
BB BUS BAR	PCS PULL CORD SWITCH
BR BRAKING RESISTOR	PDB POWER DISTRIBUTION BLOCK
C CONTACTOR	PE PHOTO EYE
CB CIRCUIT BREAKER	PLC PROGRAMMABLE LOGIC CONTROLLER
CCT CONTROL CIRCUIT TRANSFORMER	PRS PROXIMITY SWITCH
CF COOLING FAN	PS PRESSURE SWITCH
CR CONTROL RELAY	PSU POWER SUPPLY
CS CURRENT SWITCH	PT PRESSURE TRANSMITTER
CT CURRENT TRANSFORMER	RECEPT RECEPTACLE
DD DIGITAL DISPLAY	RTD RESISTIVE TEMPERATURE DEVICE
DS DISCONNECT SWITCH	RVS SOFT STARTER
ES ETHERNET SWITCH	SCR SILICON CONTROL RECTIFIER
ESR EMERGENCY STOP SENSITIVITY RELAY	SD SERVO DRIVE
FLT LEVEL SWITCH	SOL SOLENOID
FS FLOW SWITCH	SS SELECTOR SWITCH
FU FUSE	TAS TEMPERATURE SWITCH
GL GROUND LUG	TB TERMINAL BLOCK
IFM INTERFACE MODULE	TC THERMOCOUPLE
ISB INTRINSICALLY SAFE BARRIER	TD TIME DELAY RELAY
LCT LOAD CELL TRANSMITTER	TG TOGGLE SWITCH
LF LINE FILTER	TSP TWISTED SHIELDED PAIR
LR LINE REACTOR	TVSS SURGE SUPPRESSOR
LS LEVEL SWITCH	UPS UNINTERRUPTIBLE POWER SUPPLY
LT PILOT LIGHT	US ULTRA SONIC SENSOR
LTR LEVEL TRANSMITTER	VFD VARIABLE FREQUENCY DRIVE
MCC MOTOR CONTROL CENTER	VPN VIRTUAL PRIVATE NETWORK
MMP MANUAL MOTOR PROTECTOR	XFR TRANSFORMER
MS MOTOR STARTER	ZL ZIP LINK MODULE
	ZS LIMIT SWITCH

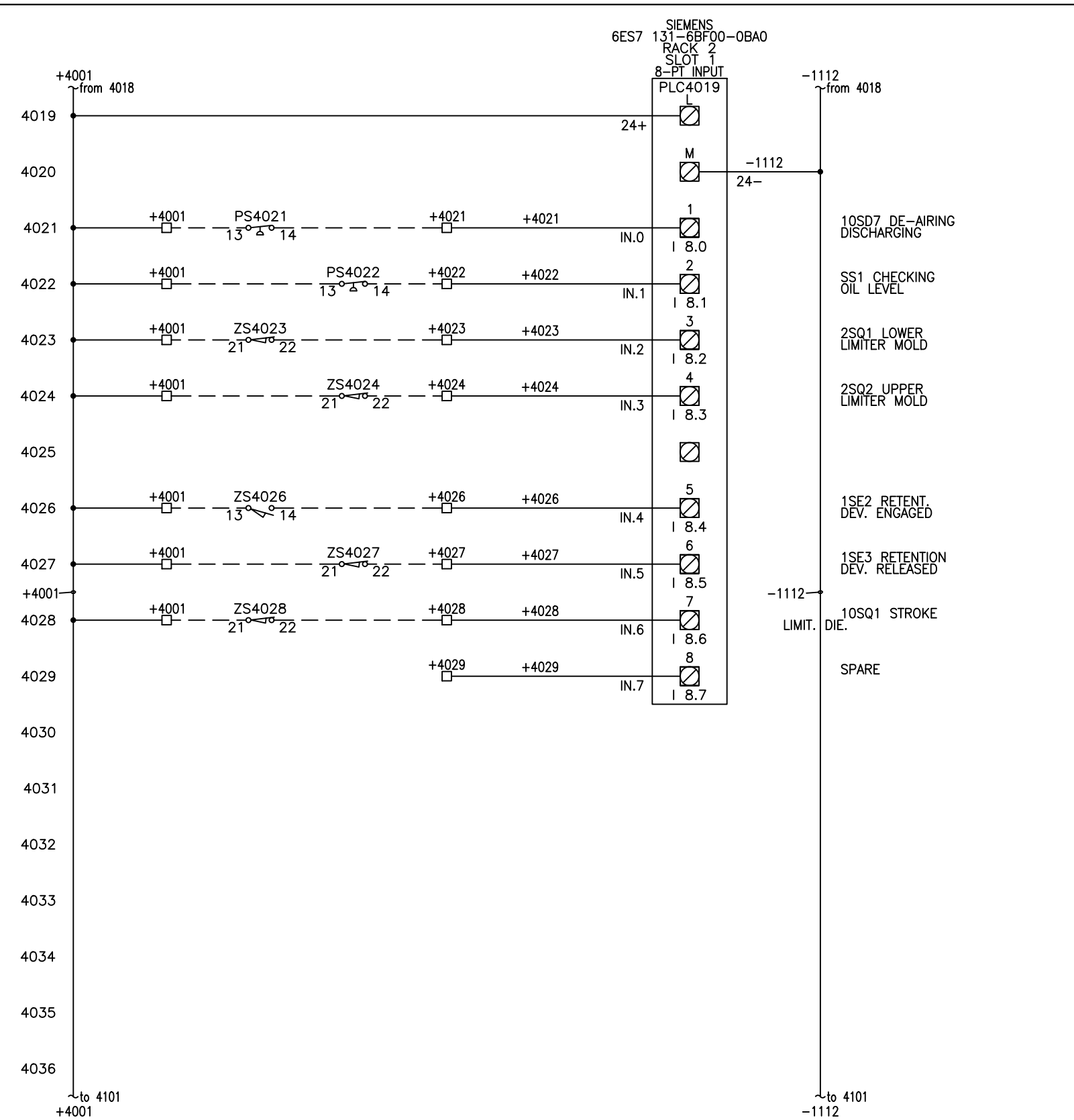
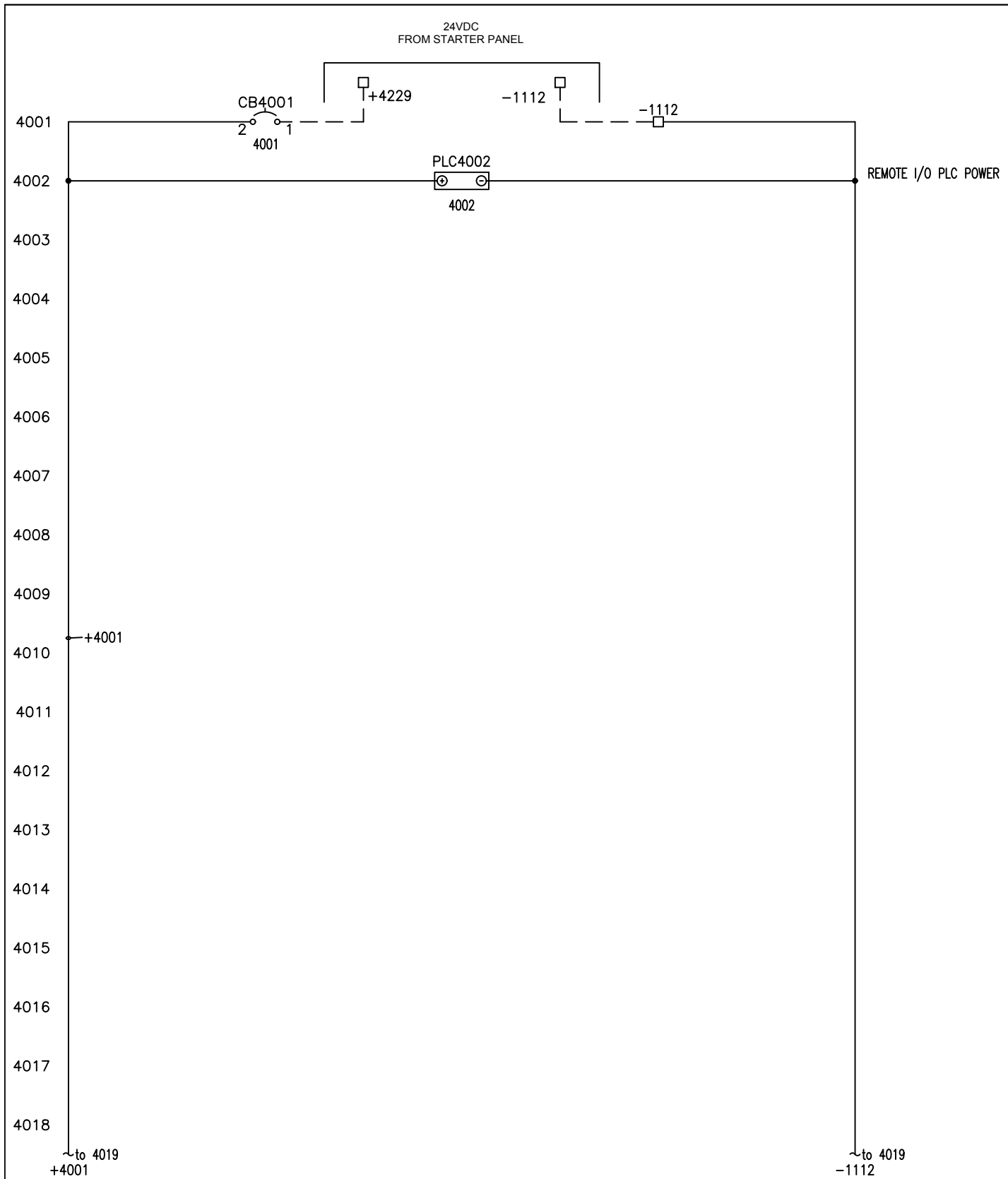
SYMBOLS

	PUSHBUTTON		LIMIT SWITCH
	MUSHROOMHEAD PUSHBUTTON		PRESSURE SWITCH
	SELECTOR SWITCH		TEMPERATURE SWITCH
	FUSE		FLOW SWITCH
	TRANSFORMER (IRON CORE TYPE)		LEVEL SWITCH
	CIRCUIT BREAKER		PROXIMITY SWITCH
	DISCONNECT SWITCH		TOGGLE SWITCH
	RELAY COIL		SOLENOID VALVE
	MOTOR STARTER COIL		AUDIBLE HORN
	NORMALLY OPEN CONTACTS		CONDUCTIVITY PROBE
	NORMALLY CLOSED CONTACTS		RESISTANCE HEATER
	TIME DELAY CONTACTS		MOTOR
	PILOT LIGHT		THERMAL OVERLOADS
	TERMINAL BLOCK LOCAL		FACTORY WIRING
	TERMINAL BLOCK REMOTE LOCATION		FIELD WIRING
	TERMINAL BLOCK COMPONENT		

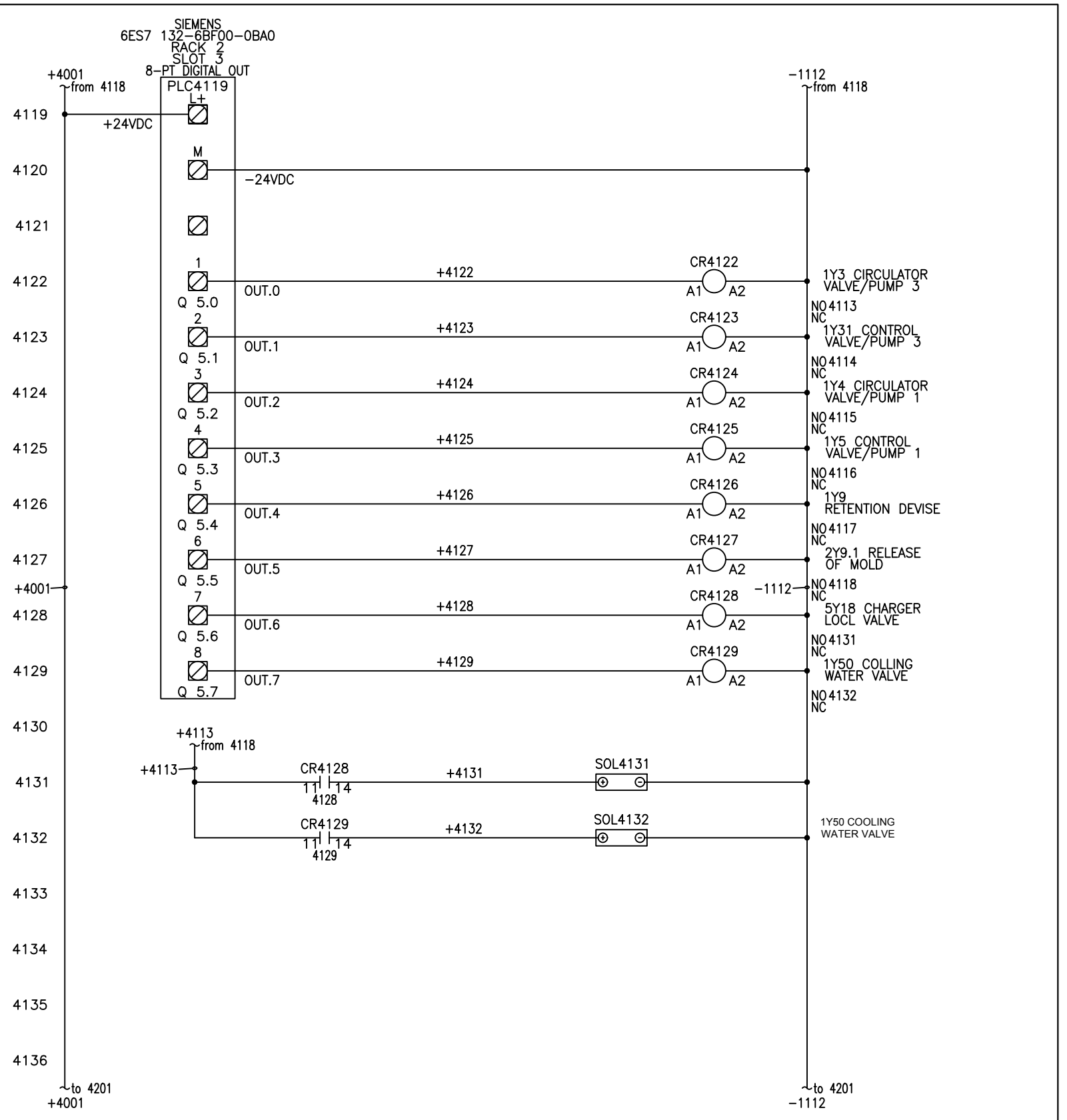
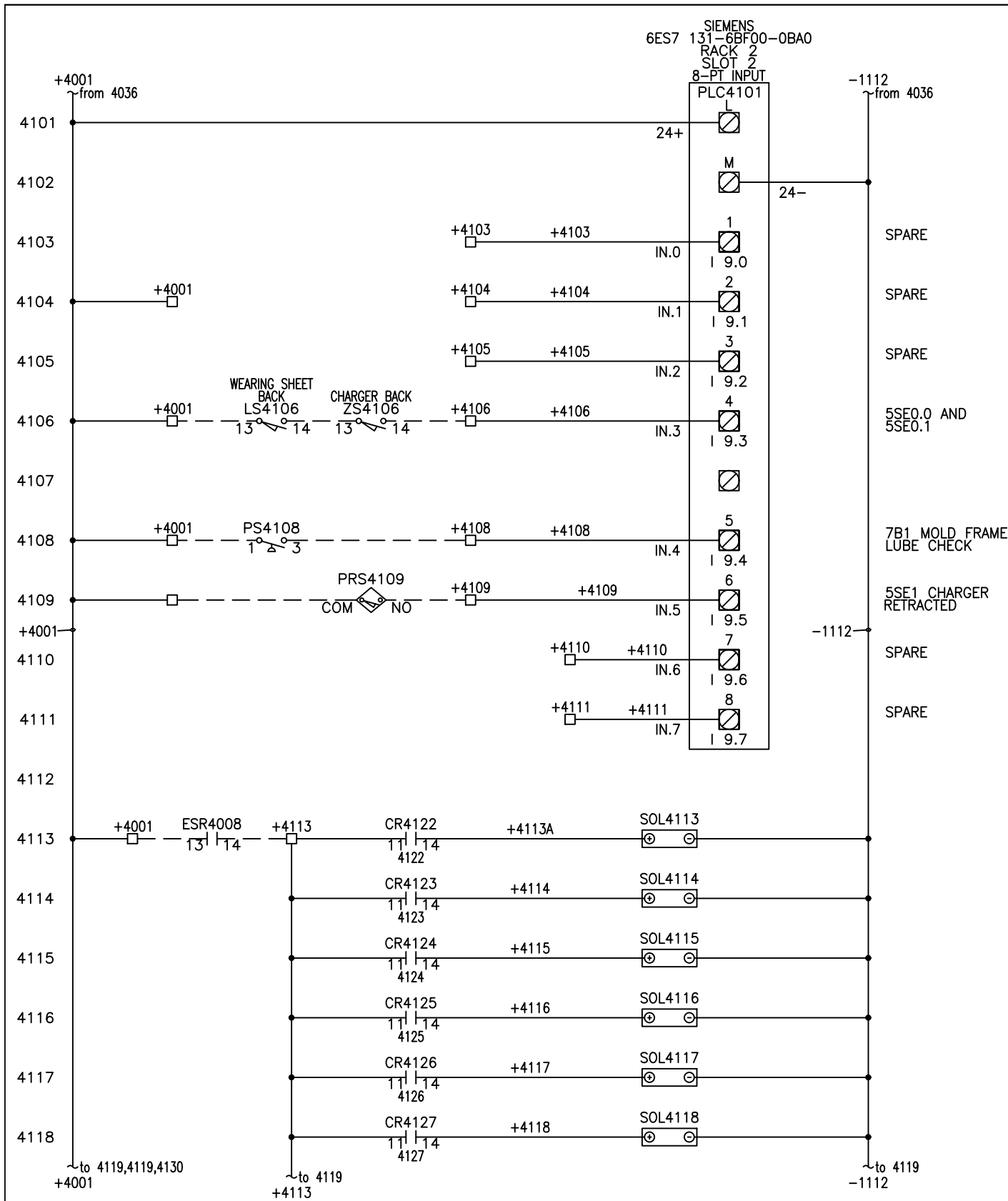
DRAWN BY: MCV	DATE: 06.20.17	PENDANT <i>AUTOMATION</i> <small>518 B YOUNG ST. HAVRE DE GRACE, MD 21078</small>	DATE: —
CHECKED BY: RJW	DATE: 06.20.17		DATE: —
APPROVED BY:	DATE:		PROJECT NAME: ST GOBAIN-630 TON PRESS UPGRADE
TITLE: BUS BOX 1 SYMBOLS & ABBREVIATIONS		DRAWING NO. C17014-300	REV. A2
			DATE: [A2] 09.26.17 MCV
			DATE: [A1] 08.14.17 MCV
			DATE: [A] 07.26.17 MCV



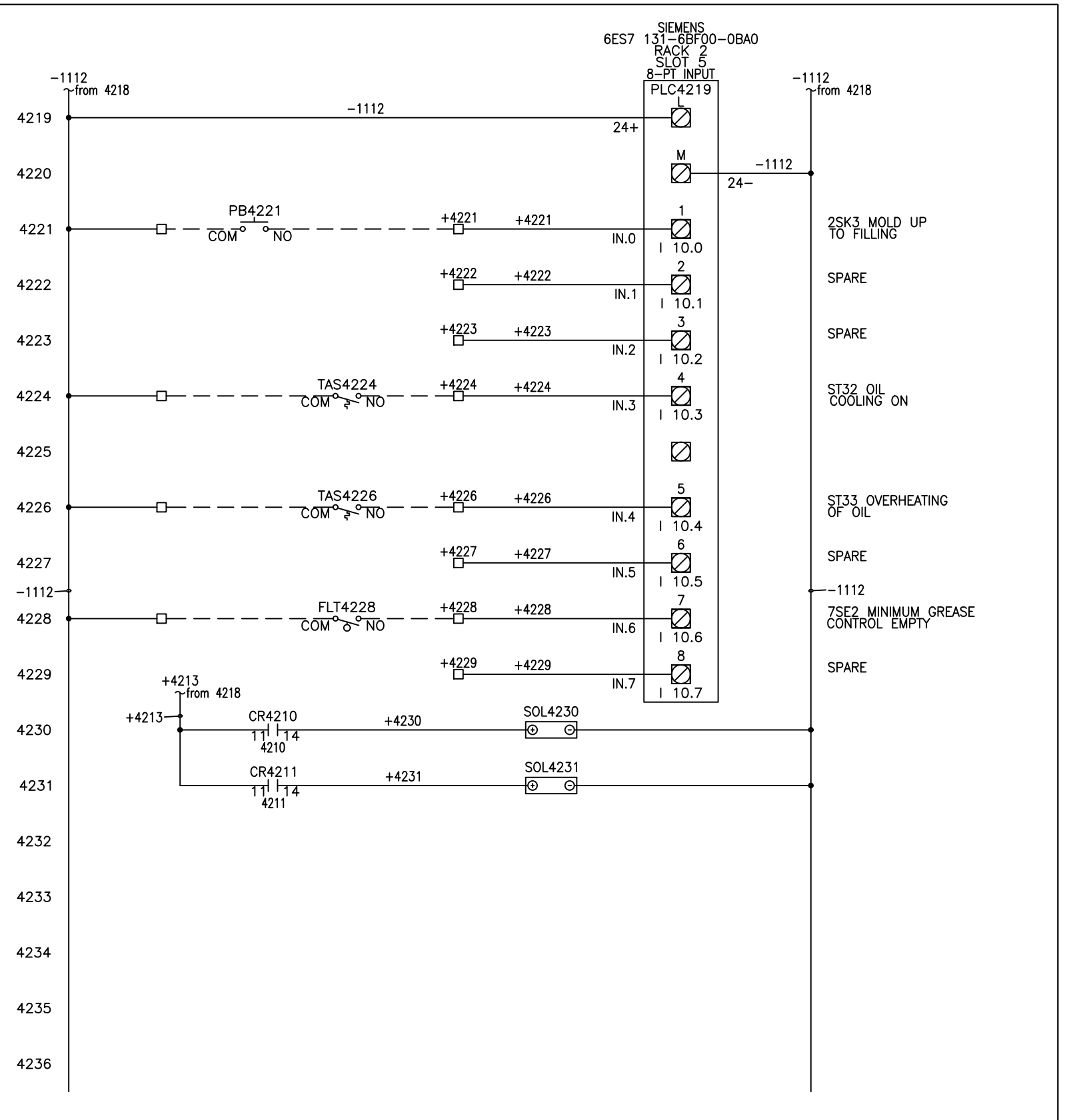
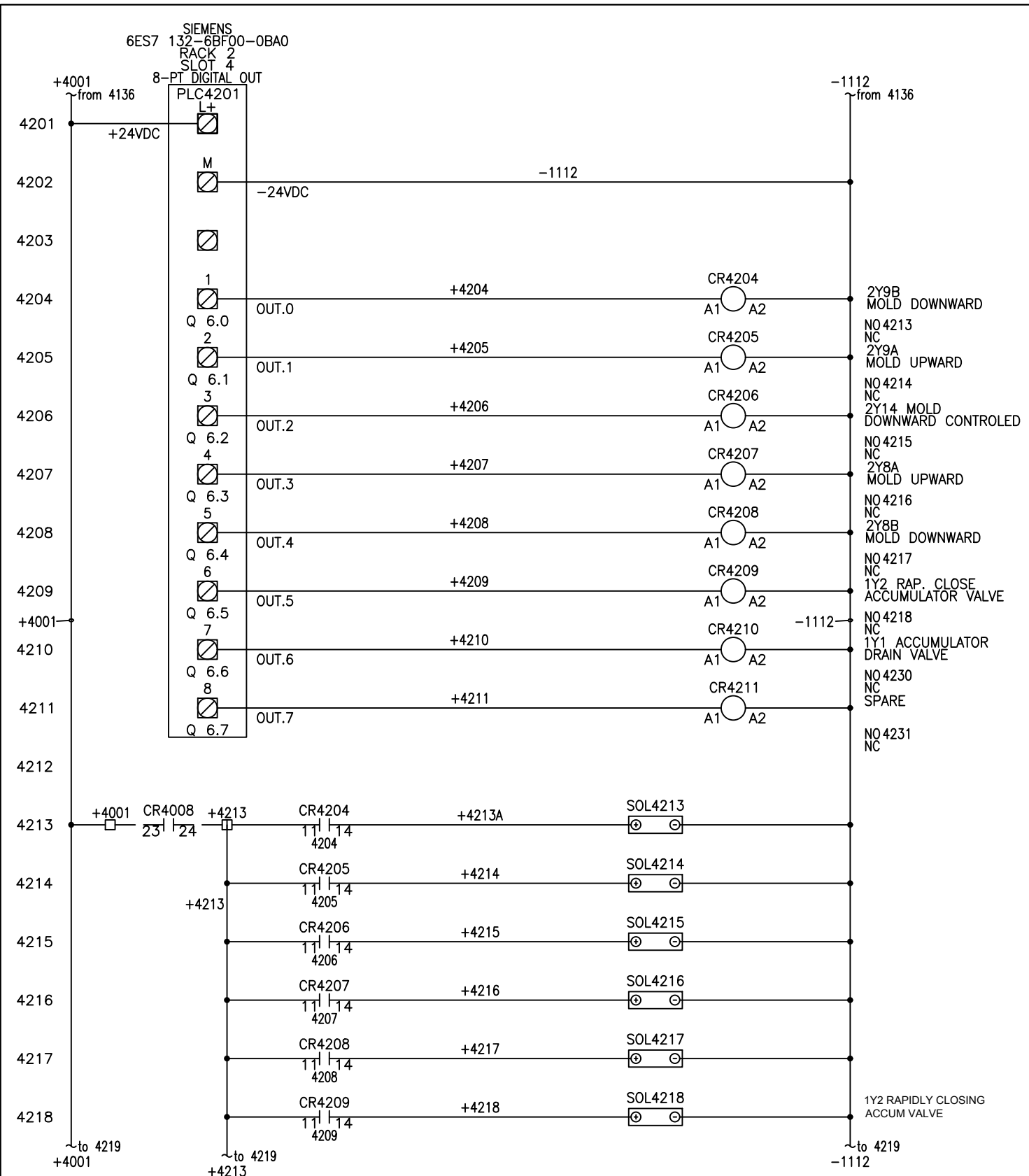
DRAWN BY: MCV	DATE: 06.20.17	PENDANT <i>AUTOMATION</i>	518 B YOUNG ST. HAVRE DE GRACE, MD 21078	DATE: —
CHECKED BY: RJW	DATE: 06.20.17			DATE: —
APPROVED BY:	DATE:	PROJECT NAME: ST GOBAIN-630 TON PRESS UPGRADE	PROJECT NO. C17014	DATE: [A2] 09.26.17 MCV
TITLE: BUS BOX 1 ENCLOSURE & INNER PANEL DETAIL		DRAWING NO. C17014-301	REV. A2	DATE: [A1] 08.14.17 MCV
				DATE: [A] 07.26.17 MCV



DRAWN BY: MCV	DATE: 06.20.17	PENDANT <i>AUTOMATION</i> <small>518 B YOUNG ST. HAVRE DE GRACE, MD 21078</small>	DATE: —
CHECKED BY: RJW	DATE: 06.20.17		DATE: —
APPROVED BY:	DATE:		PROJECT NAME: ST GOBAIN-630 TON PRESS UPGRADE
TITLE: BUS BOX 1 PLC4002 & 4019 LADDER DIAGRAM		DRAWING NO. C17014-302	REV. A2
			DATE: [A2] 09.26.17 MCV
			DATE: [A1] 08.14.17 MCV
			DATE: [A] 07.26.17 MCV



DRAWN BY: MCV	DATE: 06.20.17	PENDANT AUTOMATION	518 B YOUNG ST. HAVRE DE GRACE, MD 21078	DATE: —
CHECKED BY: RJW	DATE: 06.20.17		DATE: —	
APPROVED BY:	DATE:	PROJECT NAME: ST GOBAIN-630 TON PRESS UPGRADE	PROJECT NO. C17014	DATE: [A2] 09.26.17 MCV
TITLE: BUS BOX 1 PLC4101 & 4119 LADDER DIAGRAM		DRAWING NO. C17014-303	REV. A2	DATE: [A1] 08.14.17 MCV
				DATE: [A] 07.26.17 MCV



DRAWN BY: MCV	DATE: 06.20.17	PENDANT AUTOMATION	518 B YOUNG ST. HAVRE DE GRACE, MD 21078	DATE: _____
CHECKED BY: RJW	DATE: 06.20.17		DATE: _____	
APPROVED BY:	DATE:	PROJECT NAME: ST GOBAIN-630 TON PRESS UPGRADE	PROJECT NO. C17014	DATE: [A2] 09.26.17 MCV
TITLE: BUS BOX 1 PLC4201 & 4219 LADDER DIAGRAM		DRAWING NO. C17014-304	REV. A2	DATE: [A1] 08.14.17 MCV
				DATE: [A] 07.26.17 MCV

TAGS	QTY	CATALOG	MFG	ASSYCODE
CB4001	1	FAZ-C10-1-NA-SP	EATON	
CR4122 CR4123 CR4124 CR4125 CR4126 CR4127 CR4128 CR4129 CR4204 CR4205 CR4206 CR4207 CR4208 CR4209 CR4210 CR4211	16	700-HLT1Z24	A-B	
PLC4002	1	6ES7155-6AA00-0BN0	SIEMENS	
ENCLOSURE	1	CSD20208	HOFFMAN	CP2020, CMFK
PLC4019 PLC4101 PLC4219	3	6ES7 131-6BF00-0BA0	SIEMENS	6ES7 193-6B00-0BA0
PLC4119 PLC4201	2	6ES7 132-6BF00-0BA0	SIEMENS	6ES7 193-6B00-0BA0

DRAWN BY: MCV	DATE: 06.20.17	PENDANT <i>AUTOMATION</i> <small>518 B YOUNG ST. HAVRE DE GRACE, MD 21078</small>	DATE: —
CHECKED BY: RJW	DATE: 06.20.17		DATE: —
APPROVED BY:	DATE:		PROJECT NAME: ST GOBAIN-630 TON PRESS UPGRADE
TITLE: BUS BOX 1 BILL OF MATERIALS		DRAWING NO. C17014-305	REV. A2
			DATE: [A2] 09.26.17 MCV
			DATE: [A1] 08.14.17 MCV
			DATE: [A] 07.26.17 MCV