

PENDANT
AUTOMATION

CONTROL DRAWINGS FOR:

ST. GOBAIN – 630 T BLUE PRESS
CONTROLS UPGRADE
BUS BOX 2 – 400

REVISION A2 – AS COMMISSIONED

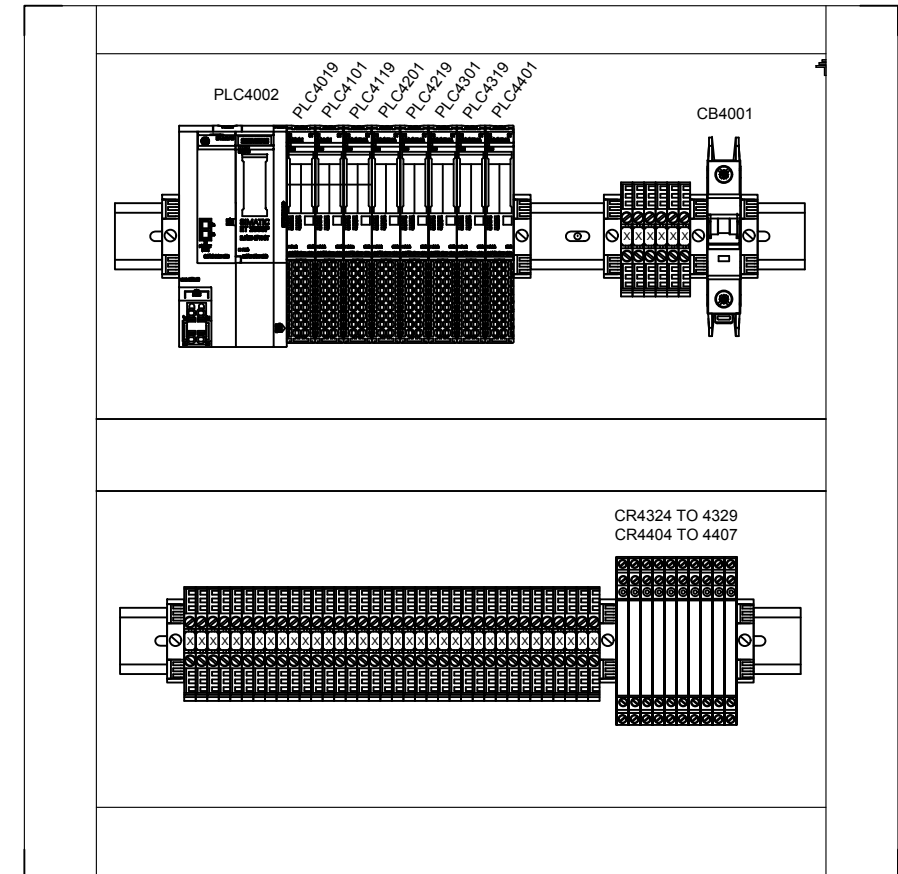
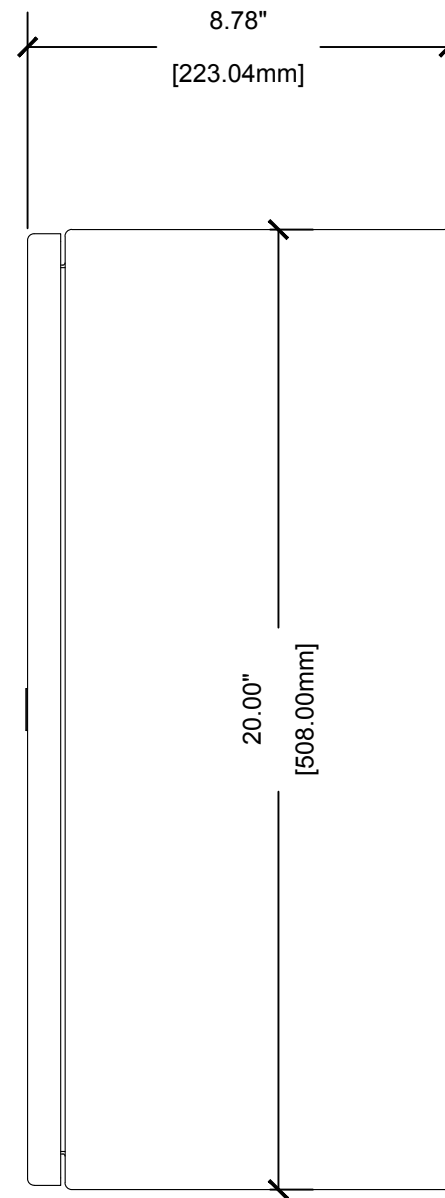
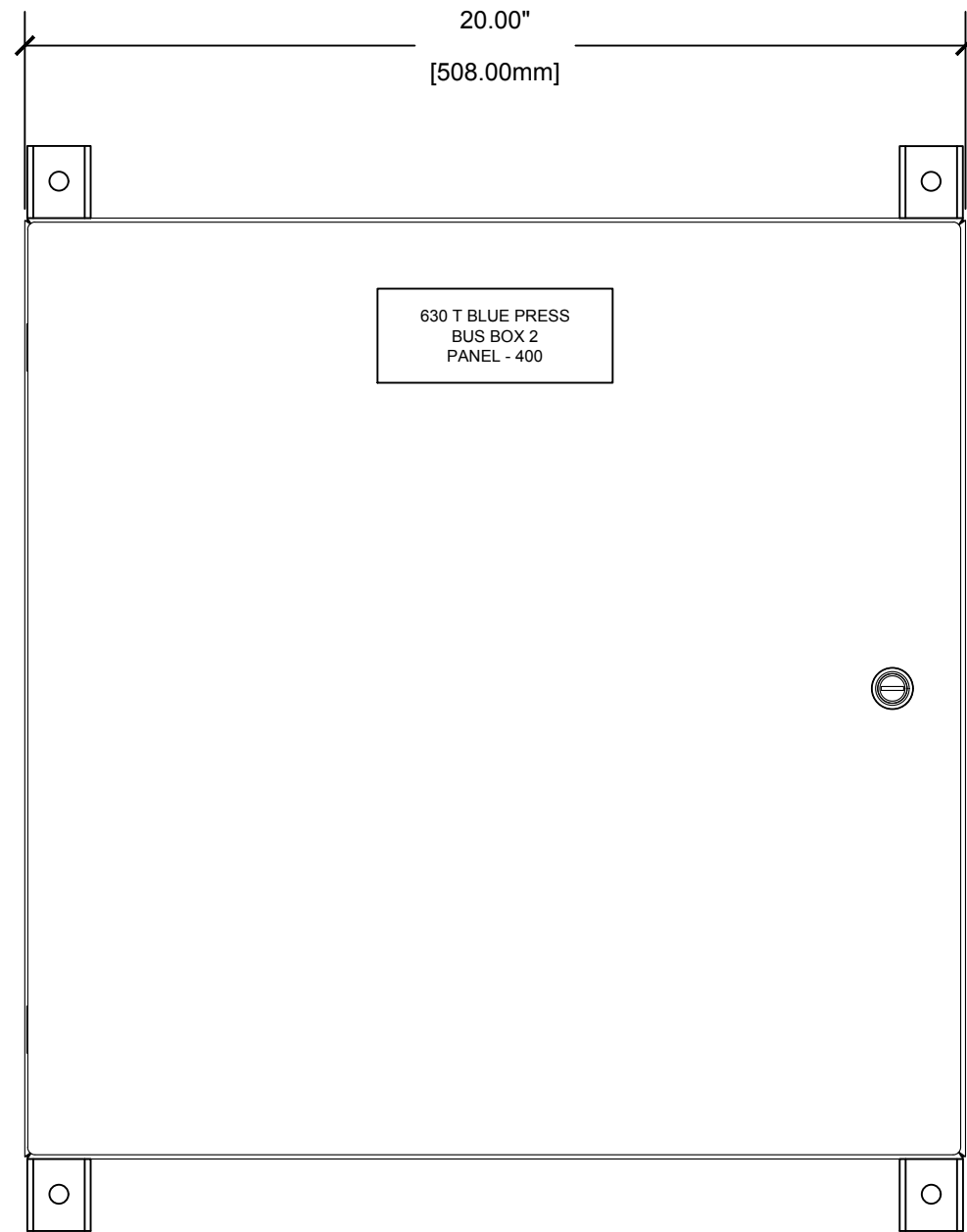
ABBREVIATIONS

AH	AUDIBLE/ALARM HORN	OL	OVERLOAD
AR	ALTERNATION RELAY	PB	PUSHBUTTON
BB	BUS BAR	PCS	PULL CORD SWITCH
BR	BRAKING RESISTOR	PDB	POWER DISTRIBUTION BLOCK
C	CONTACTOR	PE	PHOTO EYE
CB	CIRCUIT BREAKER	PLC	PROGRAMMABLE LOGIC CONTROLLER
CCT	CONTROL CIRCUIT TRANSFORMER	PRS	PROXIMITY SWITCH
CF	COOLING FAN	PS	PRESSURE SWITCH
CR	CONTROL RELAY	PSU	POWER SUPPLY
CS	CURRENT SWITCH	PT	PRESSURE TRANSMITTER
CT	CURRENT TRANSFORMER	RECEPT	RECEPTACLE
DD	DIGITAL DISPLAY	RTD	RESISTIVE TEMPERATURE DEVICE
DS	DISCONNECT SWITCH	RVS	SOFT STARTER
ES	ETHERNET SWITCH	SCR	SILICON CONTROL RECTIFIER
ESR	EMERGENCY STOP SENSITIVITY RELAY	SD	SERVO DRIVE
FLT	LEVEL SWITCH	SOL	SOLENOID
FS	FLOW SWITCH	SS	SELECTOR SWITCH
FU	FUSE	TAS	TEMPERATURE SWITCH
GL	GROUND LUG	TB	TERMINAL BLOCK
IFM	INTERFACE MODULE	TC	THERMOCOUPLE
ISB	INTRINSICALLY SAFE BARRIER	TD	TIME DELAY RELAY
LCT	LOAD CELL TRANSMITTER	TG	TOGGLE SWITCH
LF	LINE FILTER	TSP	TWISTED SHIELDED PAIR
LR	LINE REACTOR	TVSS	SURGE SUPPRESSOR
LS	LEVEL SWITCH	UPS	UNINTERRUPTIBLE POWER SUPPLY
LT	PILOT LIGHT	US	ULTRA SONIC SENSOR
LTR	LEVEL TRANSMITTER	VFD	VARIABLE FREQUENCY DRIVE
MCC	MOTOR CONTROL CENTER	VPN	VIRTUAL PRIVATE NETWORK
MMP	MANUAL MOTOR PROTECTOR	XFR	TRANSFORMER
MS	MOTOR STARTER	ZL	ZIP LINK MODULE
		ZS	LIMIT SWITCH

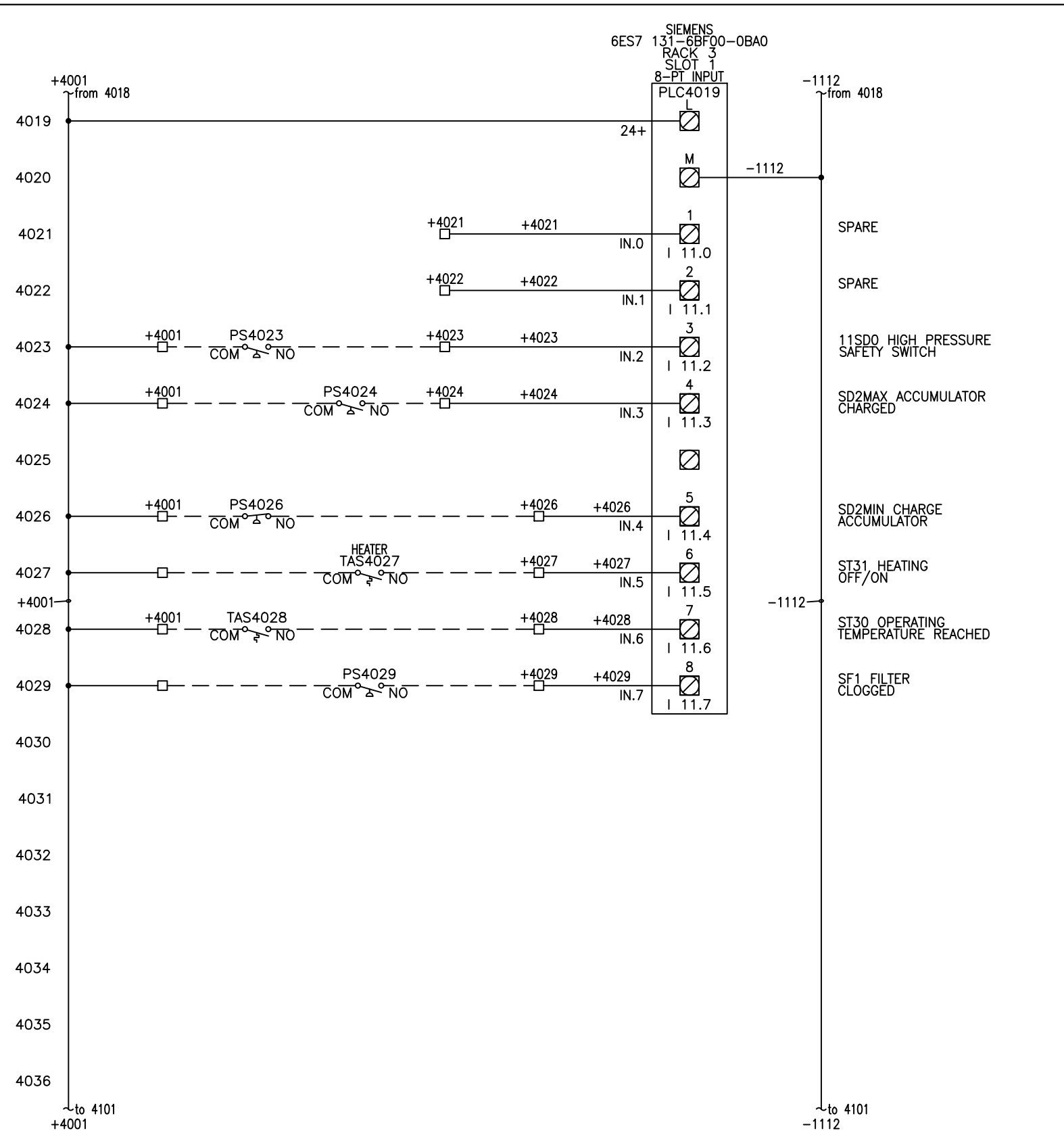
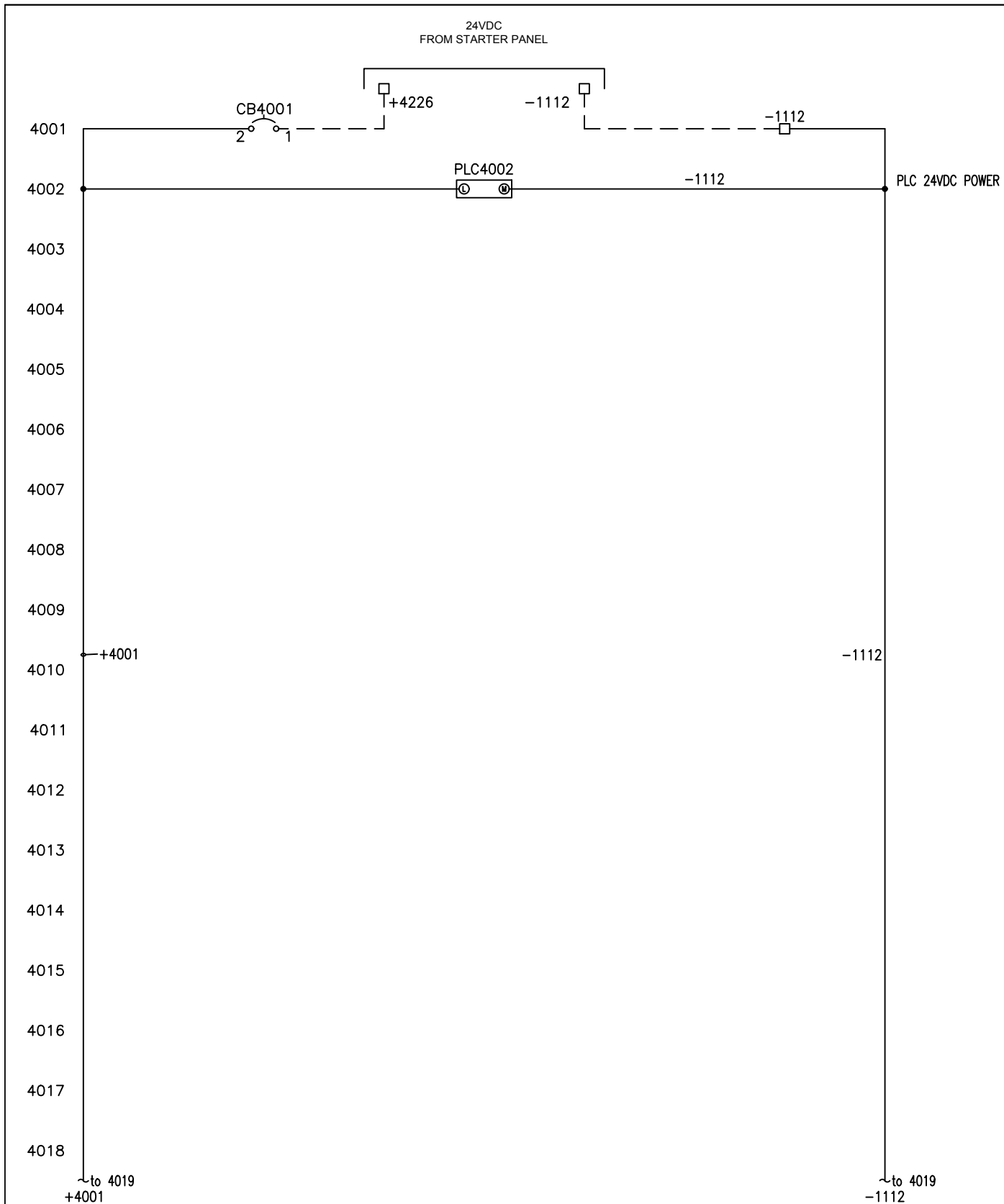
SYMBOLS

	PUSHBUTTON		LIMIT SWITCH
	MUSHROOMHEAD PUSHBUTTON		PRESSURE SWITCH
	SELECTOR SWITCH		TEMPERATURE SWITCH
	FUSE		FLOW SWITCH
	TRANSFORMER (IRON CORE TYPE)		LEVEL SWITCH
	CIRCUIT BREAKER		PROXIMITY SWITCH
	DISCONNECT SWITCH		TOGGLE SWITCH
	RELAY COIL		SOLENOID VALVE
	MOTOR STARTER COIL		AUDIBLE HORN
	NORMALLY OPEN CONTACTS		CONDUCTIVITY PROBE
	NORMALLY CLOSED CONTACTS		RESISTANCE HEATER
	TIME DELAY CONTACTS		MOTOR
	PILOT LIGHT		THERMAL OVERLOADS
	TERMINAL BLOCK LOCAL		FACTORY WIRING
	TERMINAL BLOCK REMOTE LOCATION		FIELD WIRING
	TERMINAL BLOCK COMPONENT		

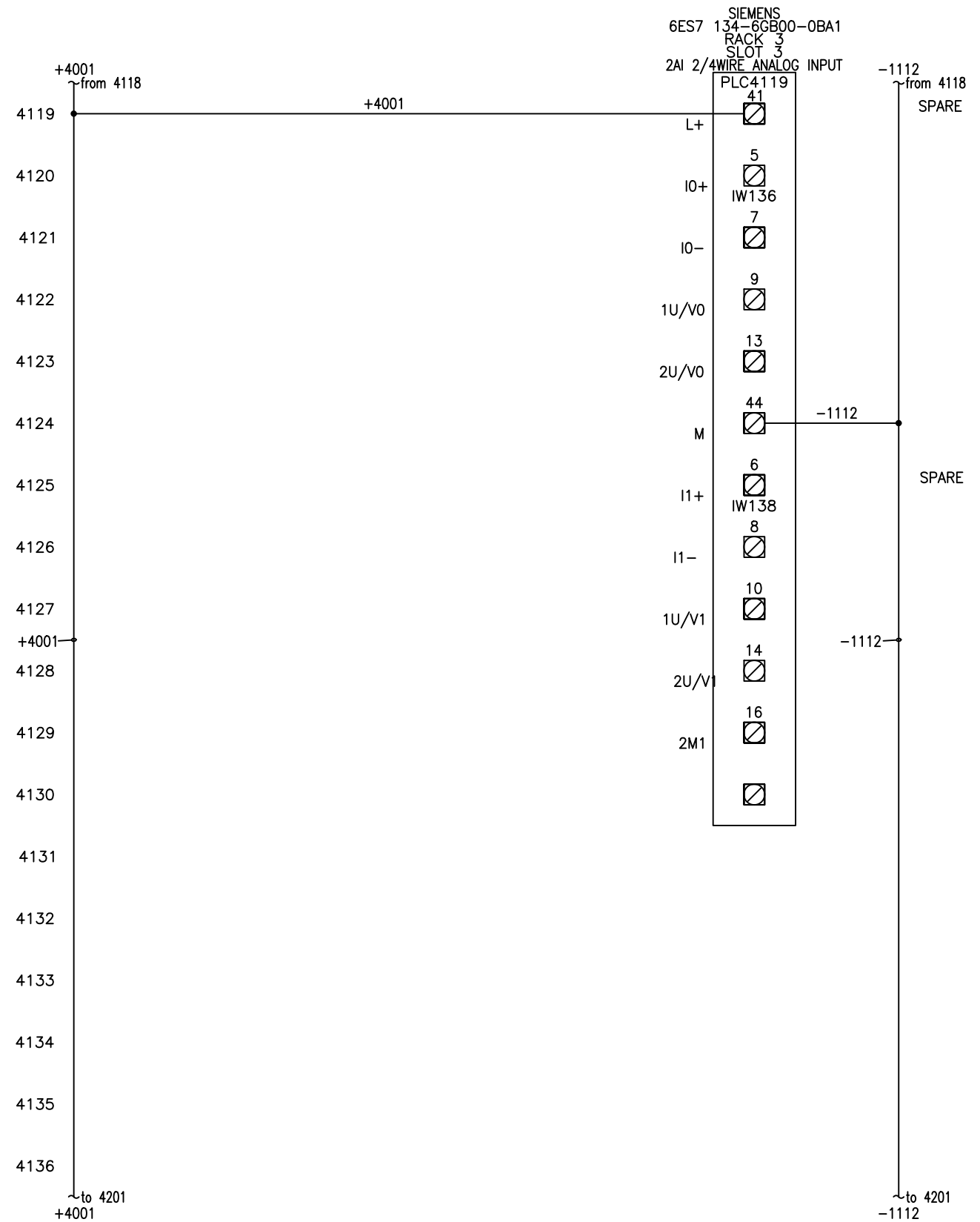
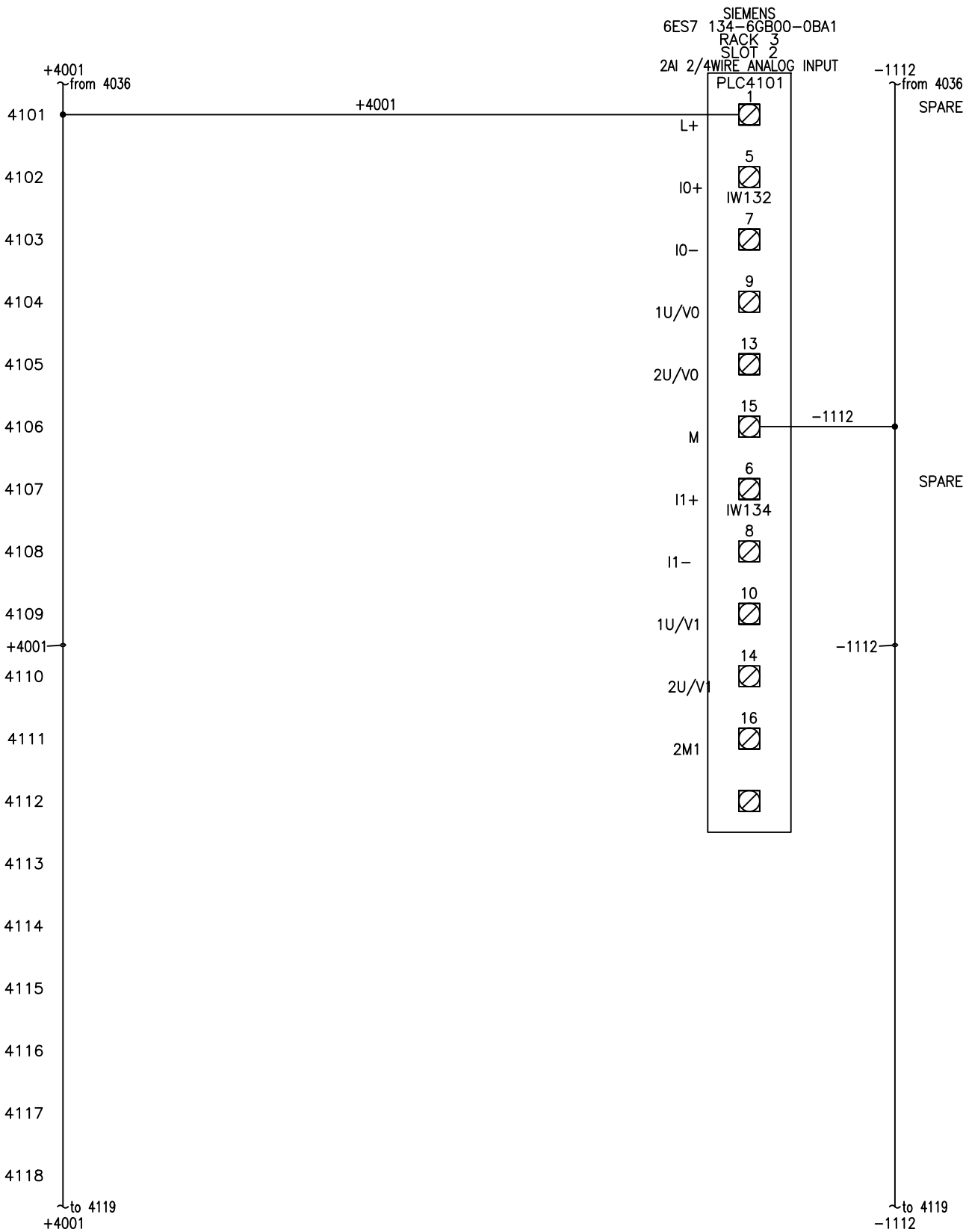
DRAWN BY: MCV	DATE: 06.20.17	PENDANT <i>AUTOMATION</i> <small>518 B YOUNG ST. HAVRE DE GRACE, MD 21078</small>	DATE: —
CHECKED BY: RJW	DATE: 06.20.17		DATE: —
APPROVED BY:	DATE:		PROJECT NAME: ST GOBAIN-630 TON PRESS UPGRADE
TITLE: BUS BOX 2 SYMBOLS & ABBREVIATIONS		DRAWING NO. C17014-400	REV. A2
			DATE: [A2] 09.26.17 MCV
			DATE: [A1] 08.14.17 MCV
			DATE: [A] 07.26.17 MCV



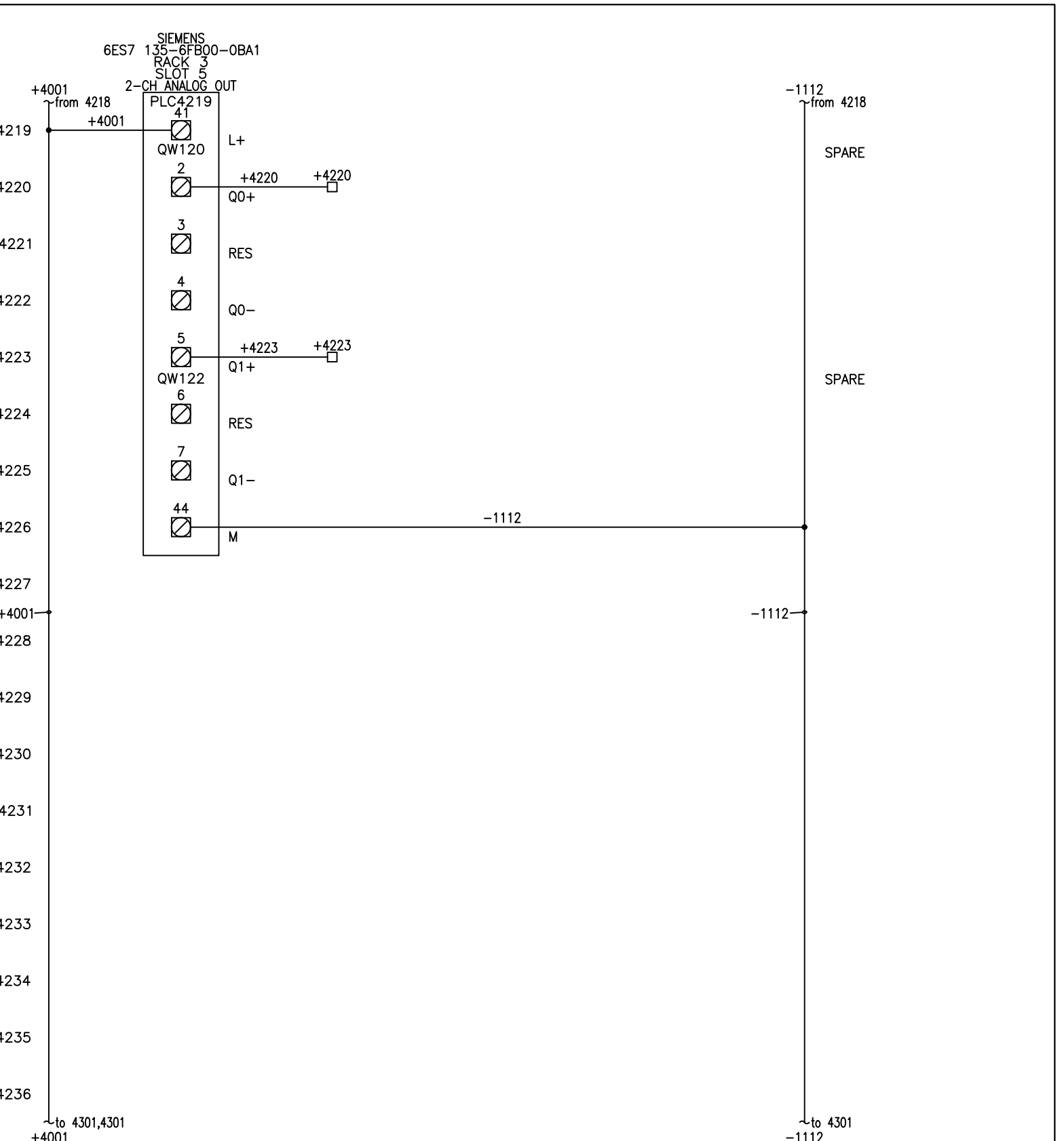
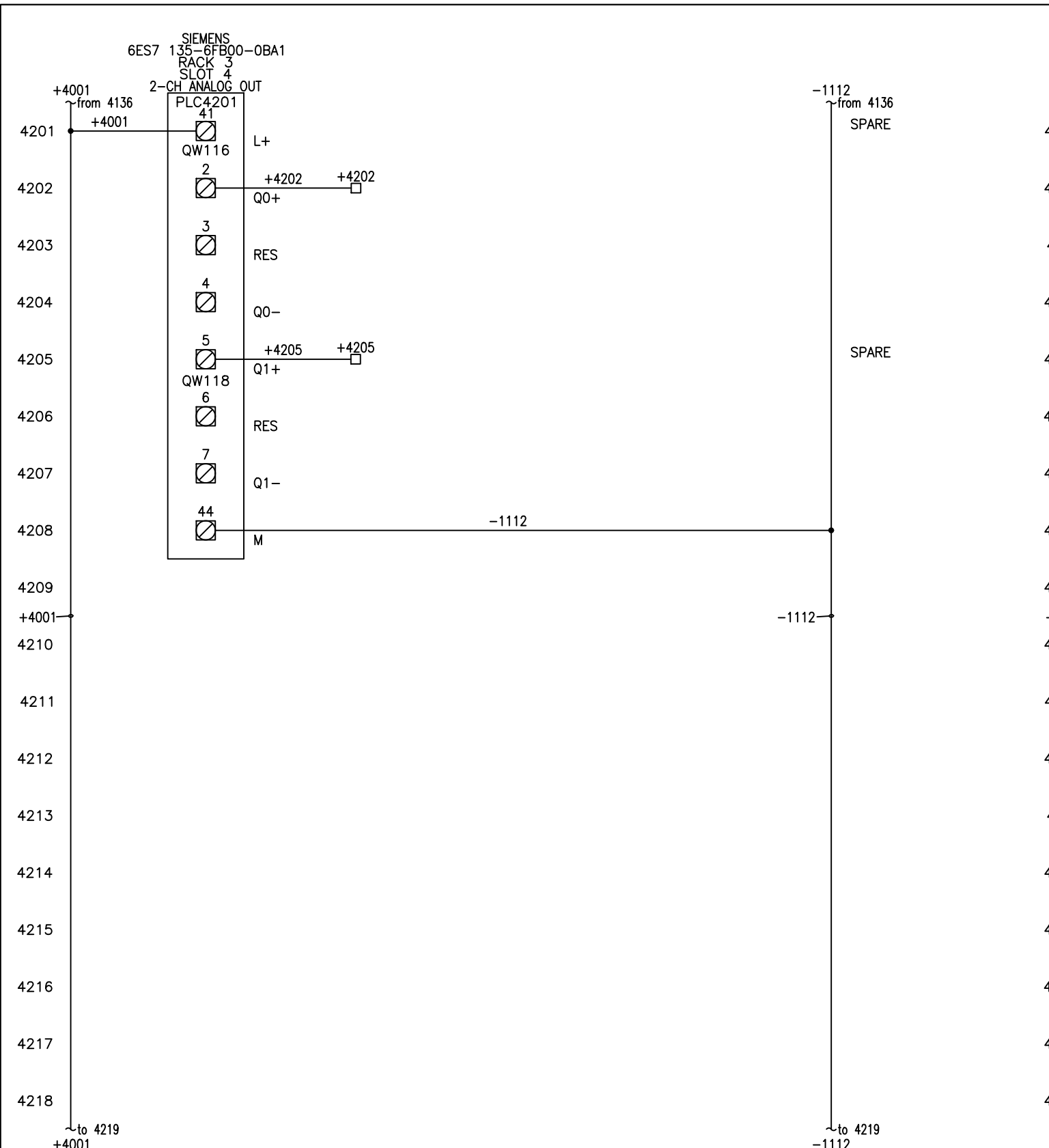
DRAWN BY: MCV	DATE: 06.20.17	PENDANT <i>AUTOMATION</i>	518 B YOUNG ST. HAVRE DE GRACE, MD 21078	DATE: —
CHECKED BY: RJW	DATE: 06.20.17			DATE: —
APPROVED BY:	DATE:	PROJECT NAME: ST GOBAIN-630 TON PRESS UPGRADE	PROJECT NO. C17014	DATE: [A2] 09.26.17 MCV
TITLE: BUS BOX 2 ENCLOSURE & INNER PANEL LAYOUT		DRAWING NO. C17014-401	REV. A2	DATE: [A1] 08.14.17 MCV
				DATE: [A] 07.26.17 MCV



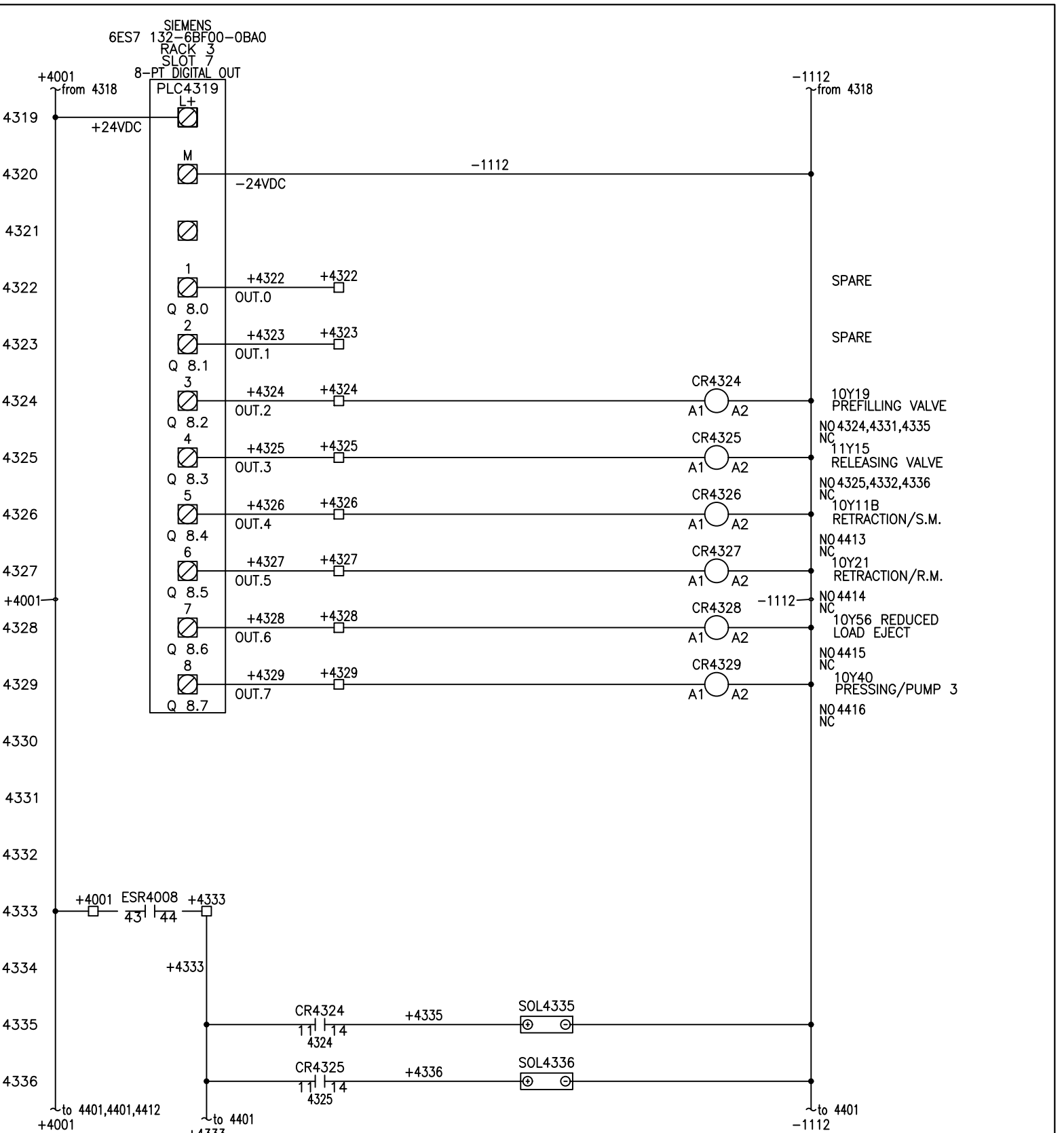
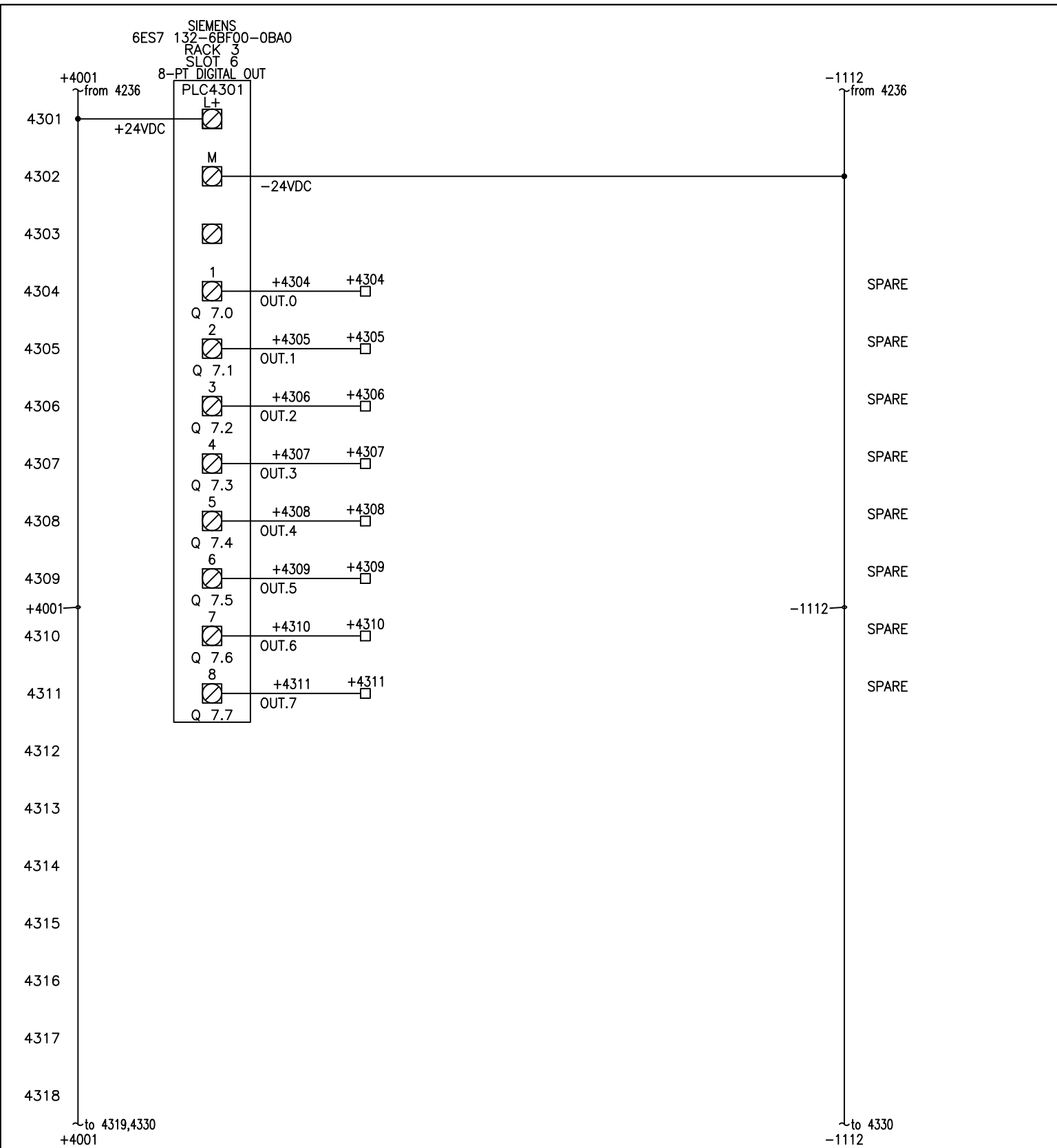
DRAWN BY: MCV	DATE: 06.20.17	PENDANT <i>AUTOMATION</i> <small>518 B YOUNG ST. HAVRE DE GRACE, MD 21078</small>	DATE: —
CHECKED BY: RJW	DATE: 06.20.17		DATE: —
APPROVED BY:	DATE:		PROJECT NAME: ST GOBAIN-630 TON PRESS UPGRADE
TITLE: BUS BOX 2 PLC4002 & 4019 LADDER DIAGRAM		DRAWING NO. C17014-402	REV. A2
			DATE: [A2] 09.26.17 MCV
			DATE: [A1] 08.14.17 MCV
			DATE: [A] 07.26.17 MCV



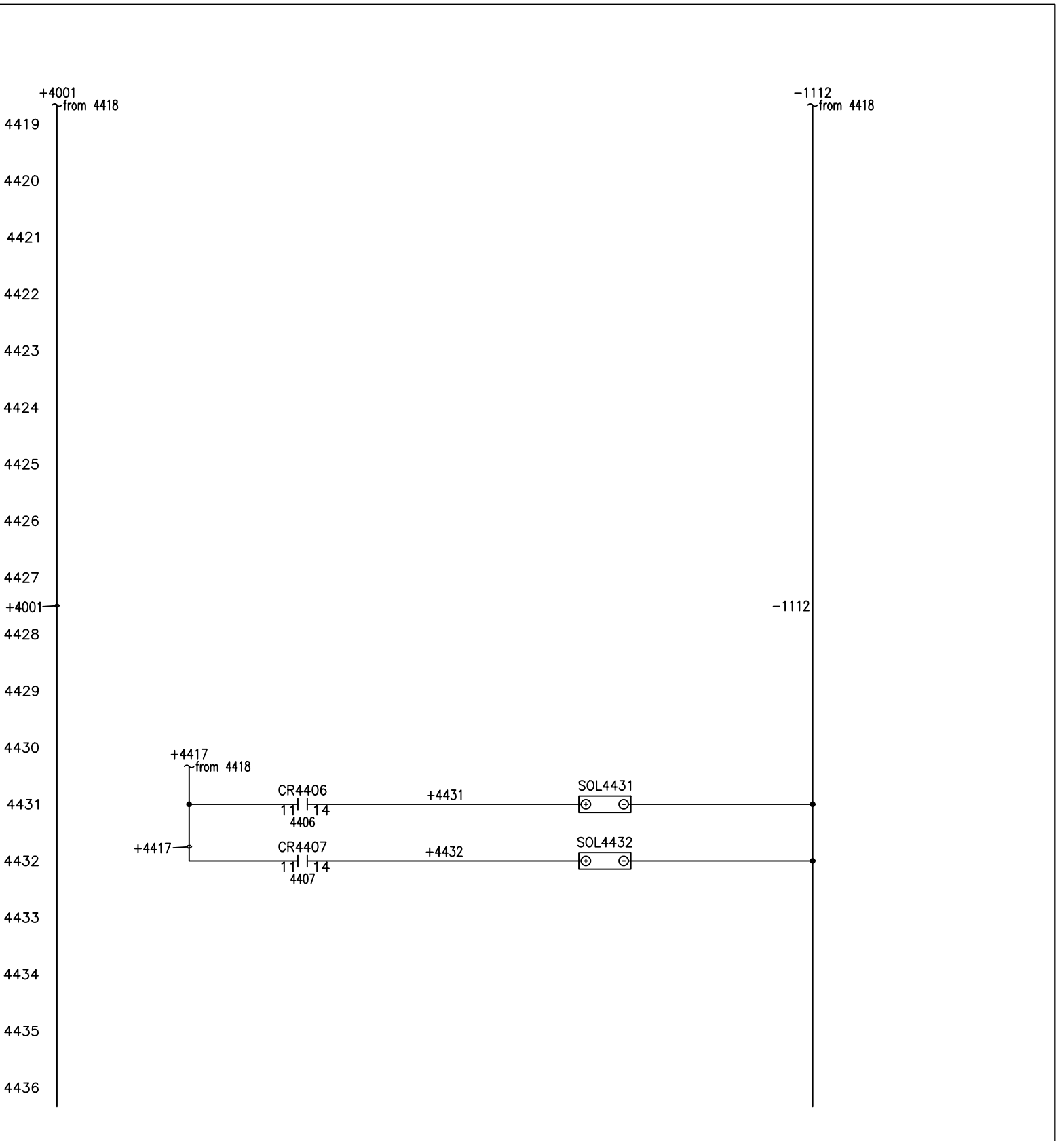
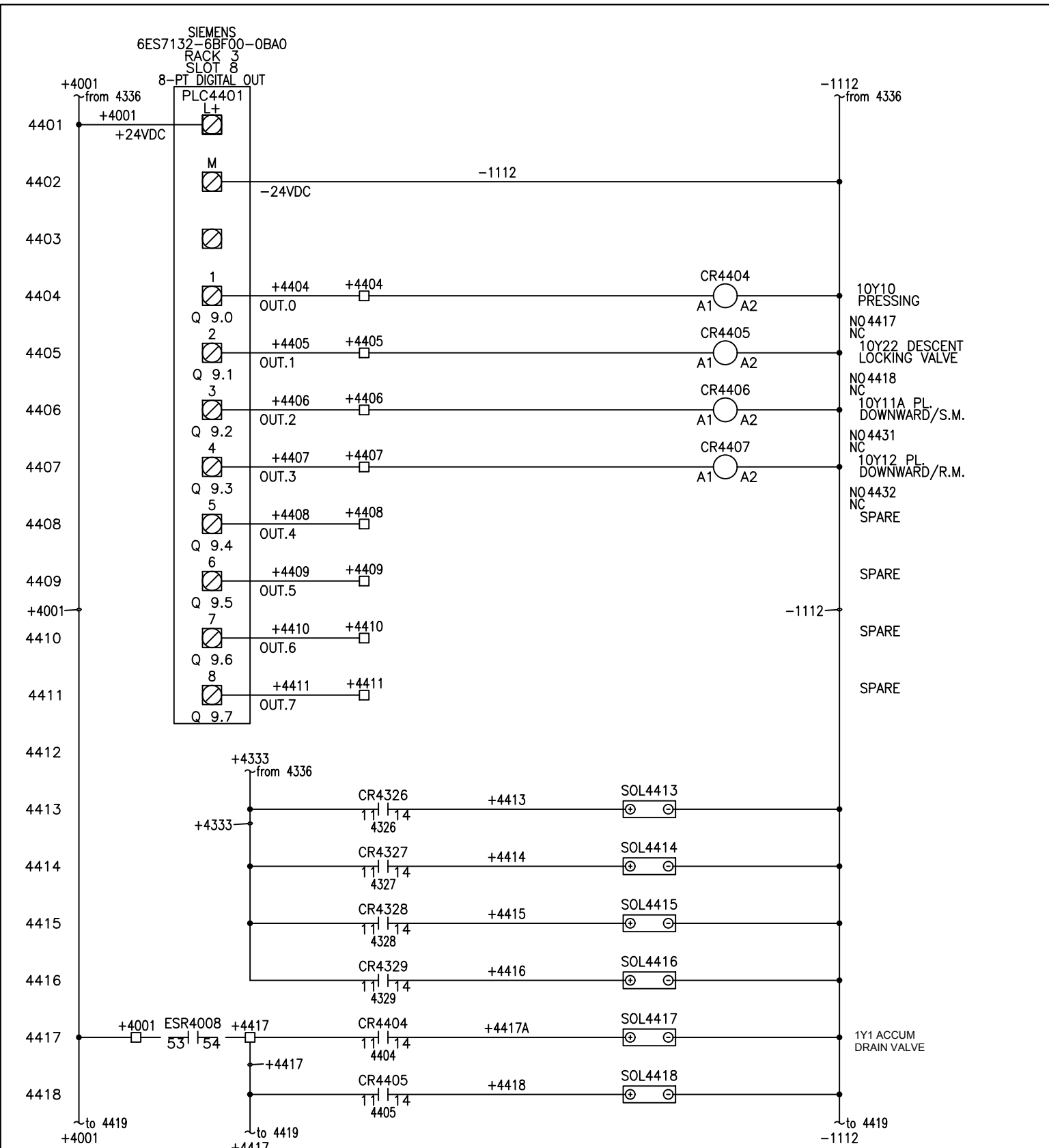
DRAWN BY: MCV	DATE: 06.20.17	PENDANT <i>AUTOMATION</i> <small>518 B YOUNG ST. HAVRE DE GRACE, MD 21078</small>	DATE: —
CHECKED BY: RJW	DATE: 06.20.17		DATE: —
APPROVED BY:	DATE:		PROJECT NAME: ST GOBAIN-630 TON PRESS UPGRADE
TITLE: BUS BOX 2 PLC4101 & 4119 LADDER DIAGRAM		DRAWING NO. C17014-403	REV. A2
			DATE: [A2] 09.26.17 MCV
			DATE: [A1] 08.14.17 MCV
			DATE: [A] 07.26.17 MCV



DRAWN BY: MCV	DATE: 06.20.17	PENDANT <i>AUTOMATION</i> <small>518 B YOUNG ST. HAVRE DE GRACE, MD 21078</small>	DATE: —
CHECKED BY: RJW	DATE: 06.20.17		DATE: —
APPROVED BY:	DATE:		PROJECT NAME: ST GOBAIN-630 TON PRESS UPGRADE
TITLE: BUS BOX 2 PLC4201 & 4219 LADDER DIAGRAM		DRAWING NO. C17014-404	REV. A2
			DATE: [A2] 09.26.17 MCV
			DATE: [A1] 08.14.17 MCV
			DATE: [A] 07.26.17 MCV



DRAWN BY: MCV	DATE: 06.20.17	PENDANT AUTOMATION	518 B YOUNG ST. HAVRE DE GRACE, MD 21078	DATE: _
CHECKED BY: RJW	DATE: 06.20.17		DATE: _	
APPROVED BY:	DATE:	PROJECT NAME: ST GOBAIN-630 TON PRESS UPGRADE	PROJECT NO. C17014	DATE: [A2] 09.26.17 MCV
TITLE: BUS BOX 2 PLC4301 & 4319 LADDER DIAGRAM		DRAWING NO. C17014-405	REV. A2	DATE: [A1] 08.14.17 MCV
				DATE: [A] 07.26.17 MCV



DRAWN BY: MCV	DATE: 06.20.17	PENDANT AUTOMATION	518 B YOUNG ST. HAVRE DE GRACE, MD 21078	DATE: —
CHECKED BY: RJW	DATE: 06.20.17			DATE: —
APPROVED BY:	DATE:	PROJECT NAME: ST GOBAIN-630 TON PRESS UPGRADE	PROJECT NO. C17014	DATE: [A2] 09.26.17 MCV
TITLE: BUS BOX 2 PLC4401 LADDER DIAGRAM & RFU		DRAWING NO. C17014-406	REV. A2	DATE: [A1] 08.14.17 MCV
				DATE: [A] 07.26.17 MCV

TAGS	QTY	CATALOG	MFG	ASSYCODE
CB4001	1	FAZ-C10-1-NA-SP	EATON	
CR4324 CR4325 CR4326 CR4327 CR4328 CR4329 CR4404 CR4405 CR4406 CR4407	10	700-HLT1Z24	A-B	
PLC4002	1	6ES7155-6AA00-0BN0	SIEMENS	
ENCLOSURE	1	CSD20208	HOFFMAN	CP2020, CMFK
PLC4019	1	6ES7 131-6BF00-0BA0	SIEMENS	6ES7 193-6B00-0BA0
PLC4301 PLC4319	2	6ES7 132-6BF00-0BA0	SIEMENS	6ES7 193-6B00-0BA0
PLC4101 PLC4119	2	6ES7 134-6GB00-0BA1	SIEMENS	6ES7193-6BP00-0BA0
PLC4201 PLC4219	2	6ES7 135-6FB00-0BA1	SIEMENS	6ES7193-6BP00-0DA0
PLC4401	1	6ES7132-6BF00-0BA0	SIEMENS	6ES7 193-6BP00-0BA0

DRAWN BY: MCV	DATE: 06.20.17	PENDANT <i>AUTOMATION</i> <small>518 B YOUNG ST. HAVRE DE GRACE, MD 21078</small>	DATE: —
CHECKED BY: RJW	DATE: 06.20.17		DATE: —
APPROVED BY:	DATE:		PROJECT NAME: ST GOBAIN-630 TON PRESS UPGRADE
TITLE: BUS BOX 2 BILL OF MATERIALS		DRAWING NO. C17014-407	REV. A2
			DATE: [A2] 09.26.17 MCV
			DATE: [A1] 08.14.17 MCV
			DATE: [A] 07.26.17 MCV