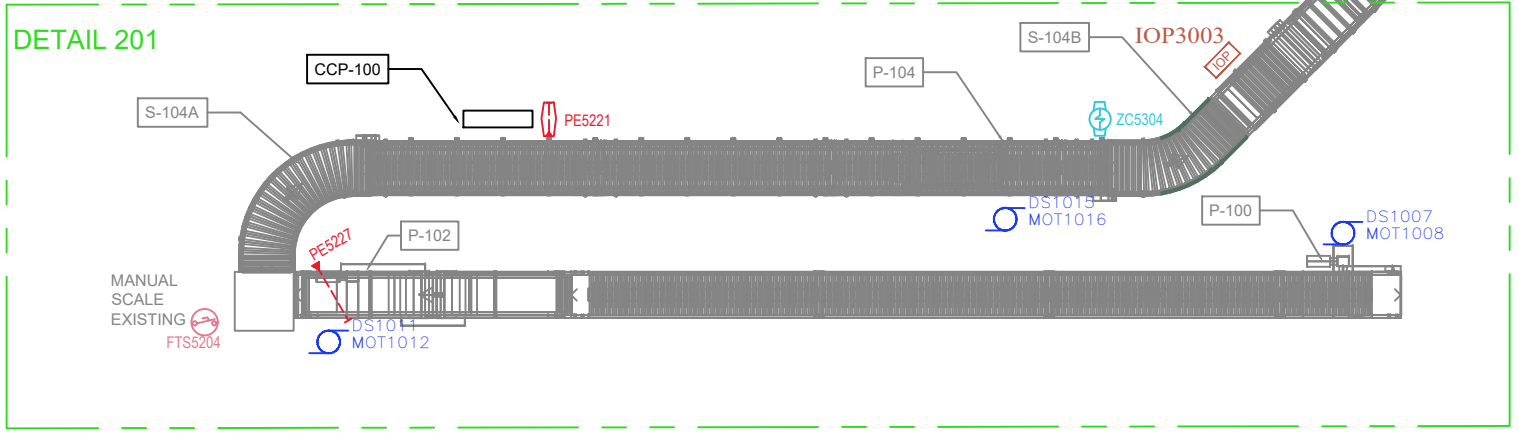
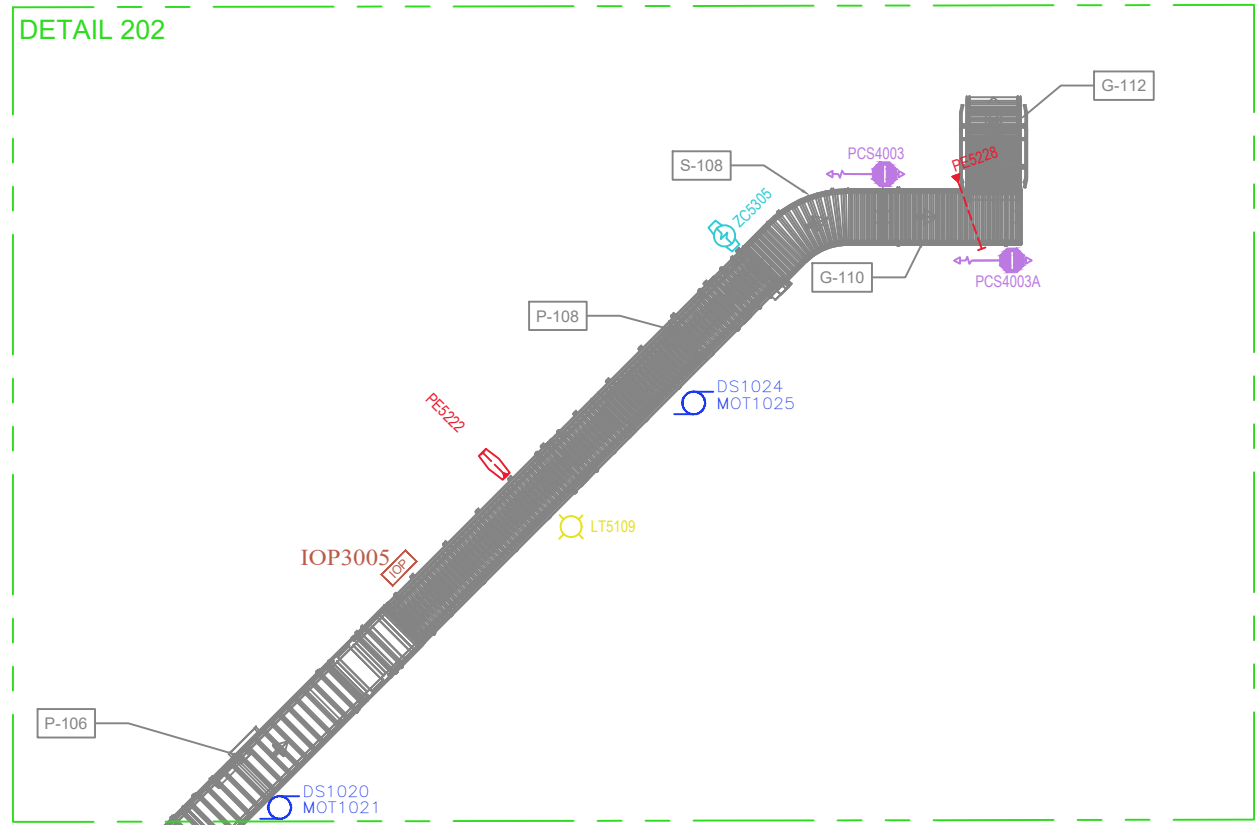
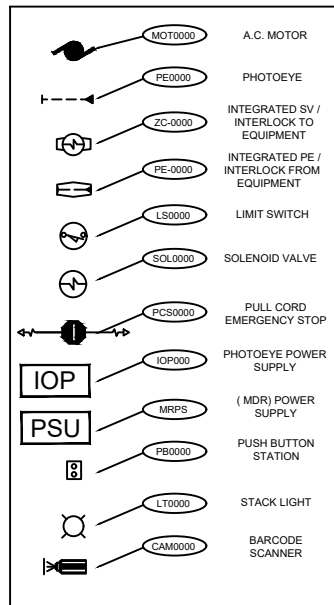


# PENDANT *AUTOMATION*

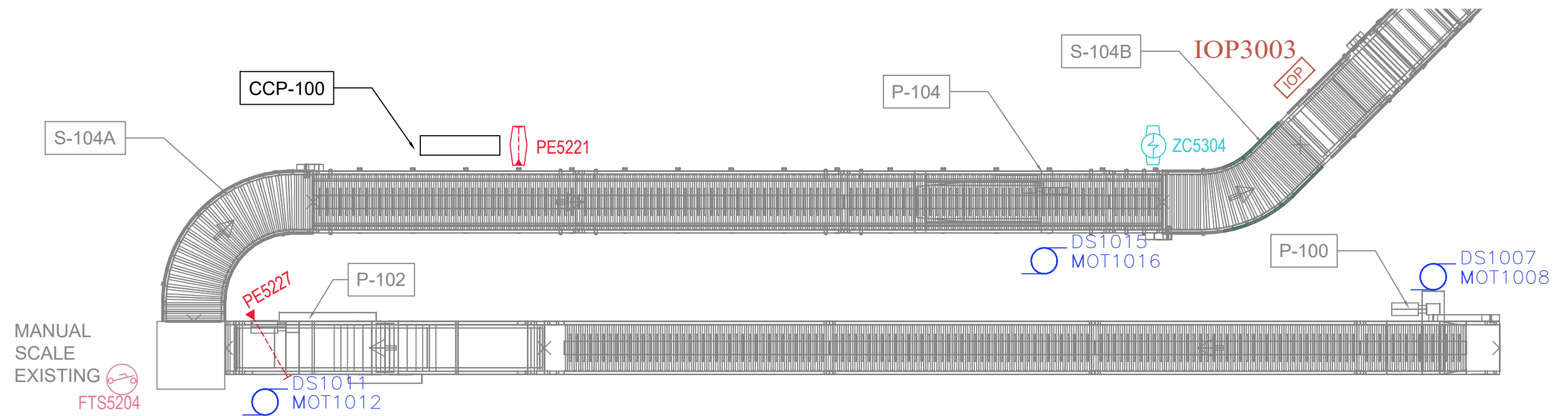
COORDINATION DRAWINGS FOR:

STERICYCLE  
BALTIMORE, MD

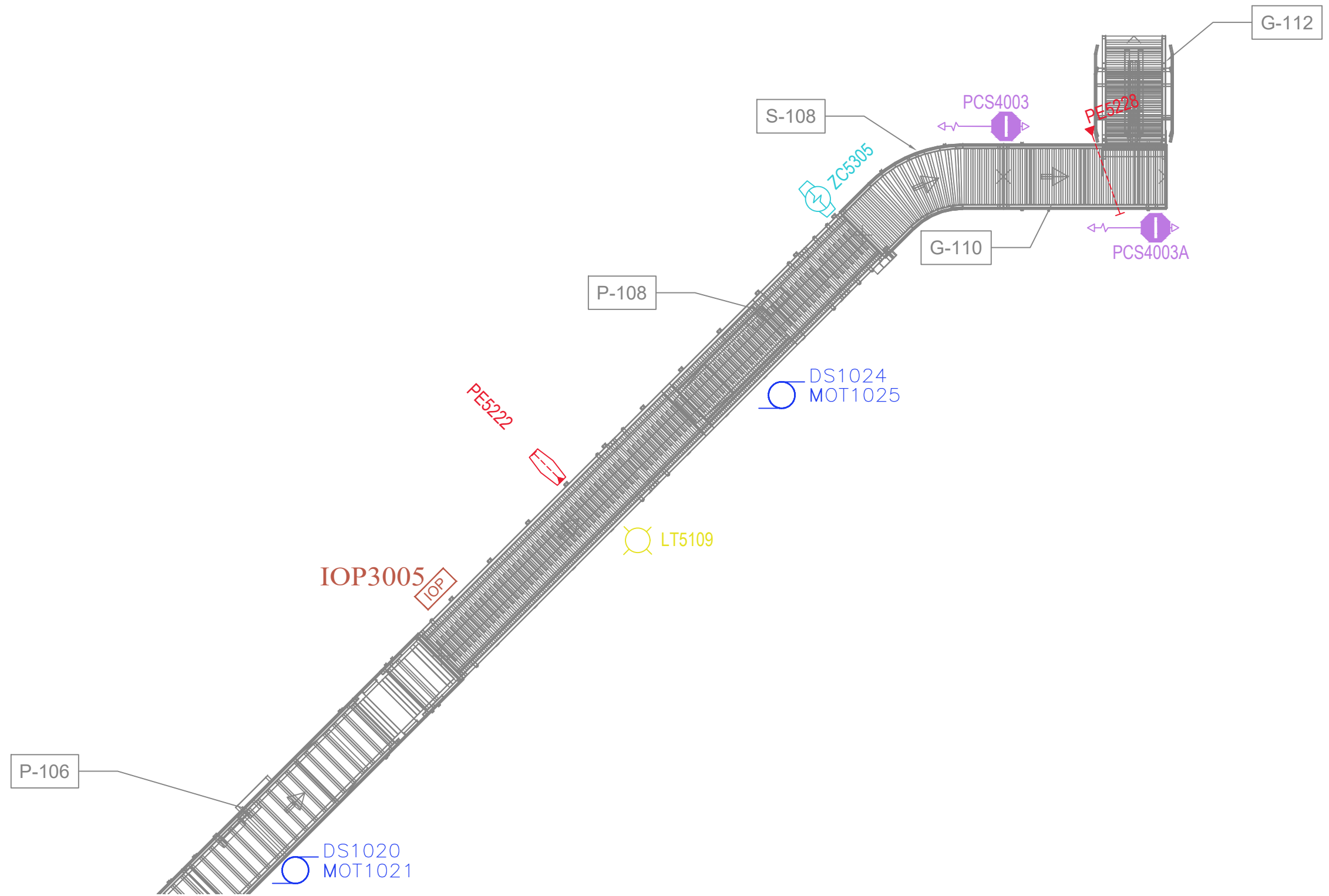
REV.	DATE:	DRAWN BY:	DESCRIPTION:	REV.	DATE:	DRAWN BY:	DESCRIPTION:
-	-	-	-	-	-	-	-
-	-	-	-	-	-	-	-
-	-	-	-	-	-	-	-
A	02.12.18	MJC	AS BUILT	-	-	-	-
0	1.15.18	MJC	ISSUED FOR: INSTALLATION	-	-	-	-



DRAWN BY: MJC	DATE: 01.15.18	<b>PENDANT AUTOMATION</b>	518 B YOUNG ST. HAVRE DE GRACE, MD 21078	DATE: —
CHECKED BY: RJW	DATE: 1.16.18			DATE: —
APPROVED BY:	DATE:	PROJECT NAME: STERICYCLE	PROJECT NO. C 17033	DATE: —
TITLE: ELECTRICAL COORDINATION CONVEYOR LAYOUT		DRAWING NO. C 17033-200	REV. A	DATE: —
				DATE: [A] 02.12.18 MJC



DRAWN BY: MJC	DATE: 01.15.18	<b>PENDANT AUTOMATION</b>	518 B YOUNG ST. HAVRE DE GRACE, MD 21078	DATE: —
CHECKED BY: RJW	DATE: 1.16.18			DATE: —
APPROVED BY:	DATE:	PROJECT NAME: STERICYCLE	PROJECT NO. C 17033	DATE: —
TITLE: ELECTRICAL COORDINATION DETAIL 201		DRAWING NO. C 17033-201	REV. A	DATE: —
				DATE: [A] 02.12.18 MJC



DRAWN BY: MJC	DATE: 01.15.18	<b>PENDANT</b> <i>AUTOMATION</i>	<small>518 B YOUNG ST.  HAVRE DE GRACE, MD 21078</small>	DATE: —
CHECKED BY: RJW	DATE: 1.16.18			DATE: —
APPROVED BY:	DATE:	PROJECT NAME: STERICYCLE	PROJECT NO. C 17033	DATE: —
TITLE: ELECTRICAL COORDINATION DETAIL 202		DRAWING NO. C 17033-202	REV. A	DATE: —
				DATE: [A] 02.12.18 MJC