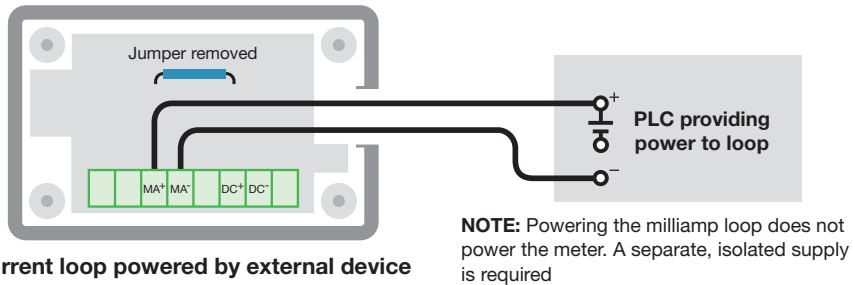
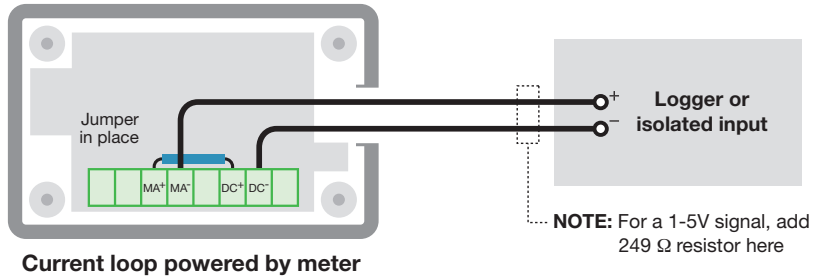


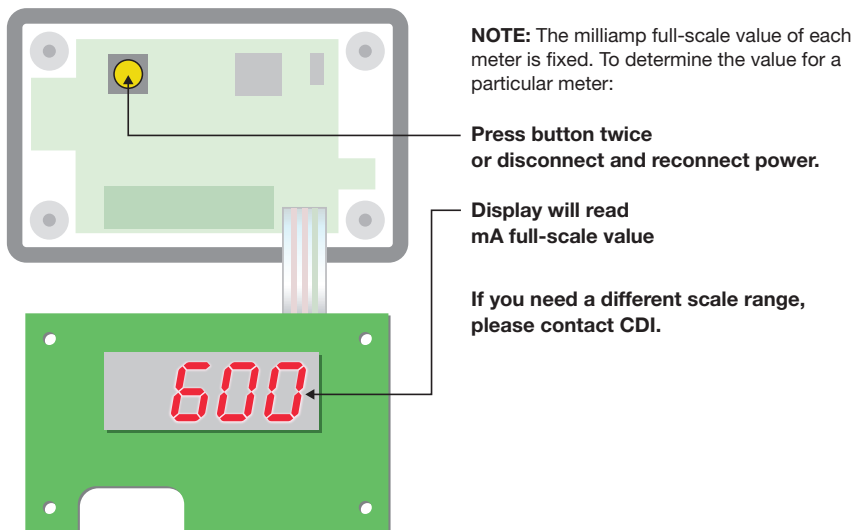
5. Wiring the Milliamp Output



Installation and Startup Guide for CDI 5200 and 5400 Flowmeters

Please refer to the data sheets for more detailed instructions.

6. Milliamp Scaling



CDI Meters, Inc.

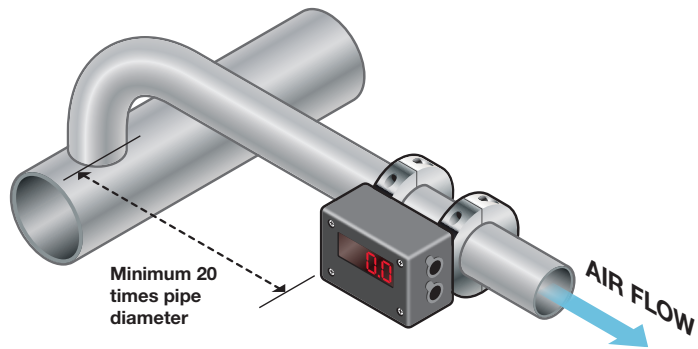
3R Green Street

Woburn, MA 01801

866-885-2462

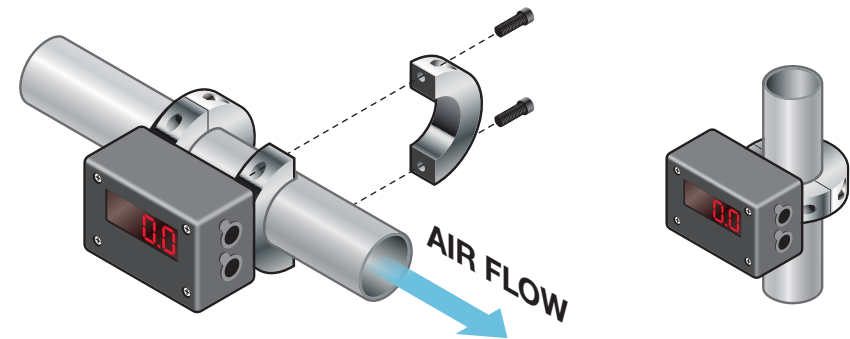
©2010 CDI Meters, Inc.

1. Meter Location



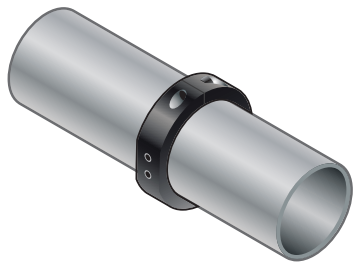
- Maximum pressure is 200 psi in Sch. 40 steel and Type L Copper. Consult CDI about other applications.
- Air must be free of water droplets. Locate the meter downstream of a dryer. Otherwise, locate it after a mist-removal filter.
- Provide at least 20 diameters of straight pipe upstream of the meter, or 30 if it is downstream of anything that could distort or concentrate the flow.
- Weather resistant option or 6000 Series is required if the case could be exposed to moisture.

3. Mounting the Meter

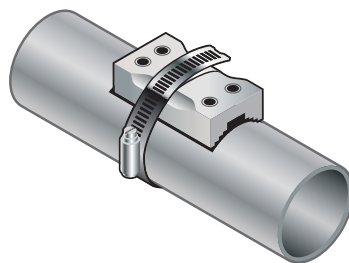


- Check the flow direction.
- Orient display to suit application – rotate cover and display 180 degrees if appropriate.
- Do not over-tighten screws.

2. Drilling the Holes



Half-Ring Drill Guide



Universal Drill Guide
with Band Clamp

- Air *must* be shut down.
- Wear eye protection.
- Shavings will enter pipe; make sure they will not cause problems downstream.
- Orient the drill guide for optimal meter visibility.

4. Powering the Meter

