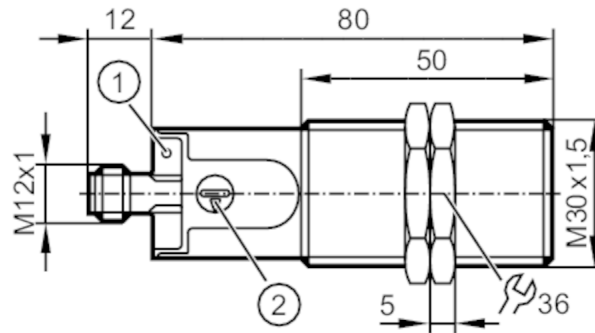


KI5309



Capacitive sensor

KI-3250NBPKG/SL/1P/US/IO



- 1 LED yellow Switching status
2 potentiometer Sensing range



Application

Medium temperature	[°C]	-25...110
--------------------	------	-----------

Electrical data

Operating voltage	[V]	10...30 DC
Current consumption	[mA]	< 22
Protection class		III
Reverse polarity protection		yes

Outputs

Electrical design		PNP
Output function		normally open
Max. voltage drop switching output DC	[V]	2.5
Permanent current rating of switching output DC	[mA]	200
Switching frequency DC	[Hz]	40
Short-circuit protection		yes
Overload protection		yes

Monitoring range

Sensing range	[mm]	0.5...40
Sensing range adjustable		yes
Factory setting sensing range	[mm]	25
Real sensing range Sr	[mm]	25 ± 10 %

Accuracy / deviations

Hysteresis	[% of Sr]	1...15
Switch-point drift	[% of Sr]	-15...15

KI5309



Capacitive sensor

KI-3250NBPKG/SL/1P/US/IO

Interfaces		
Communication interface	IO-Link	
Transmission type	COM2 (38,4 kBaud)	
IO-Link revision	1.1	
SDCI standard	IEC 61131-9	
Profiles	Smart Sensor: Process Data Variable; Device Identification	
SIO mode	yes	
Required master port class	A	
Min. process cycle time [ms]	20	
Operating conditions		
Ambient temperature [°C]	-25...80	
Protection	IP 65; IP 67; IP 69K	
Tests / approvals		
EMC	EN 61000-4-2	30 kV AD / 4 kV CD
	EN 61000-4-3	10 V/m
	EN 61000-4-4	2 kV
	EN 61000-4-6	10 V
	EN 55011	class B
Vibration resistance	DIN EN 60947-5-2	1 mm amplitude, vibration duration 5 min., 30 min. per axis with resonance or 55 Hz
Shock resistance	DIN EN 60947-5-2	30 g 6 shocks / 11 ms half-sine (x, y, z)
MTTF [years]	896.74	
UL approval	UL approval number	D001
Mechanical data		
Weight [g]	50.8	
Housing	Threaded type	
Mounting	non-flush mountable	
Dimensions [mm]	M30 x 1.5 / L = 92	
Thread designation	M30 x 1.5	
Material	PBT; PC; POM	
Tightening torque [Nm]	8	
Displays / operating elements		
Display	Switching status	1 x LED, yellow
Accessories		
Accessories (supplied)	lock nuts: 2	
Remarks		
Pack quantity	1 pcs.	
Electrical connection - plug		
Connector: 1 x M12		

KI5309

Capacitive sensor

KI-3250NBPKG/SL/1P/US/IO



Connection



4: OUT / IO-Link