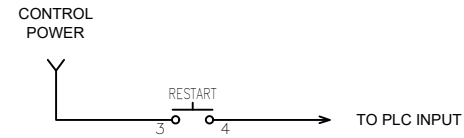
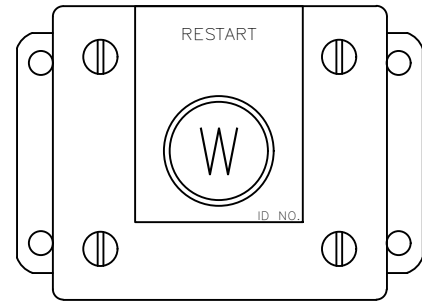
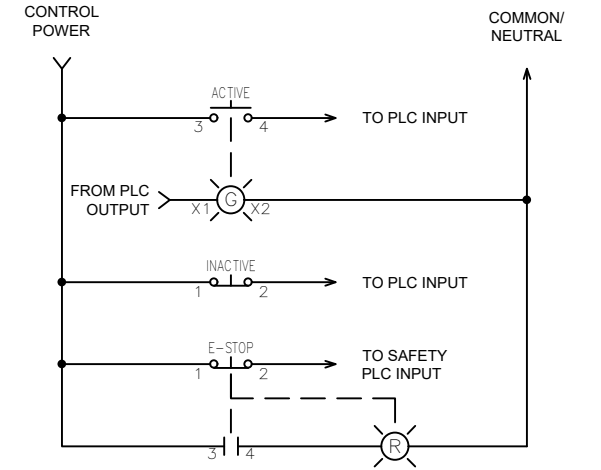
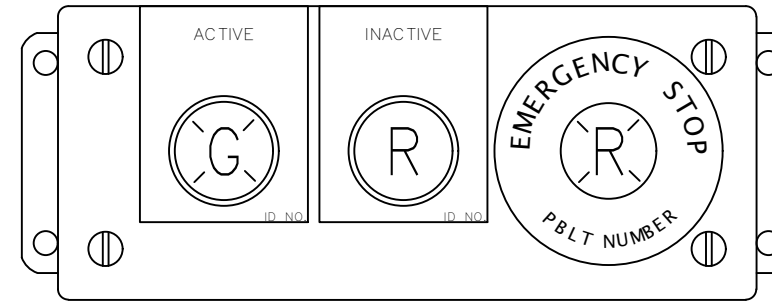


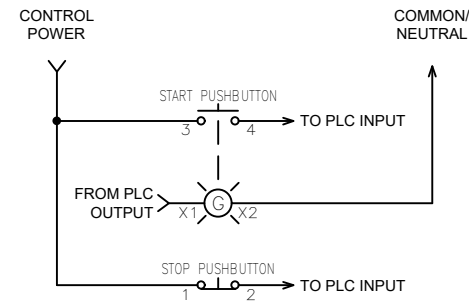
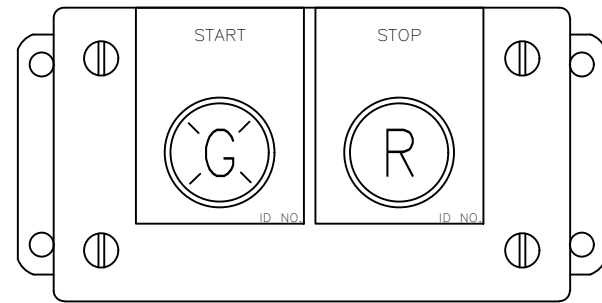
RESTART PUSHBUTTON STANDARD WIRING



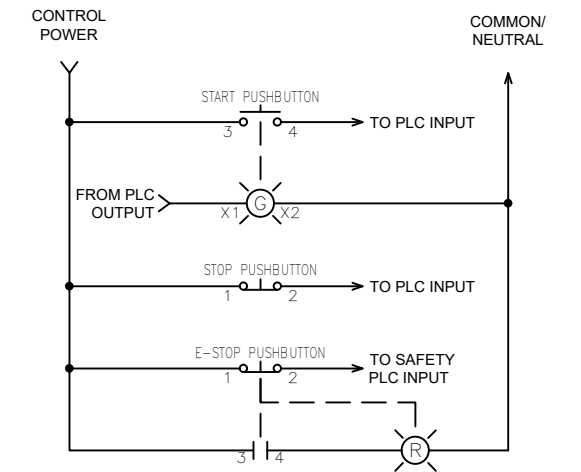
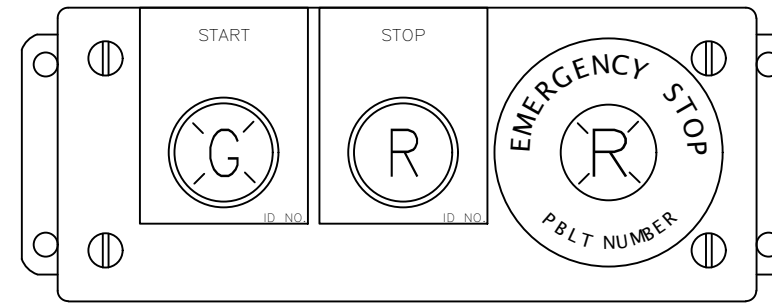
ACTIVE/INACTIVE/RESET STANDARD WIRING



START/STOP STANDARD WIRING



START/STOP/E-STOP STANDARD WIRING



JOG FORWARD/JOG REVERSE/RESTART STANDARD WIRING

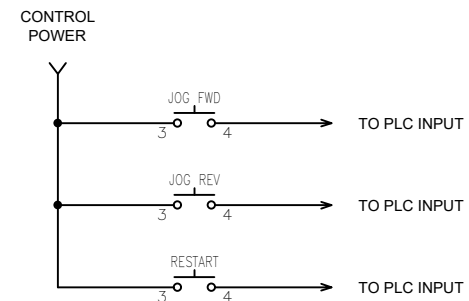
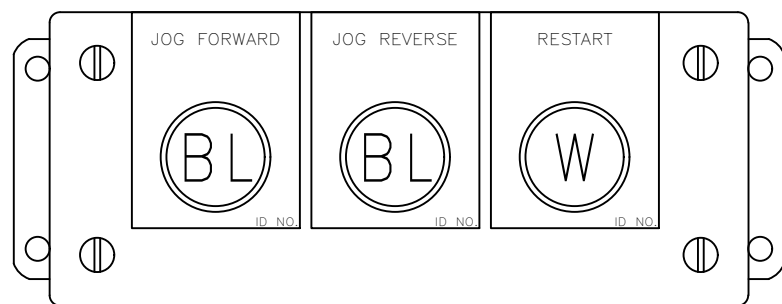
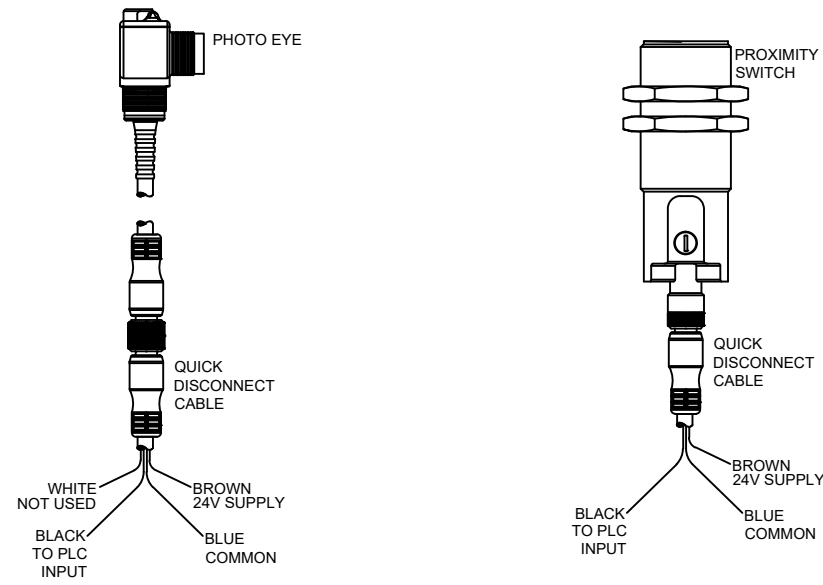
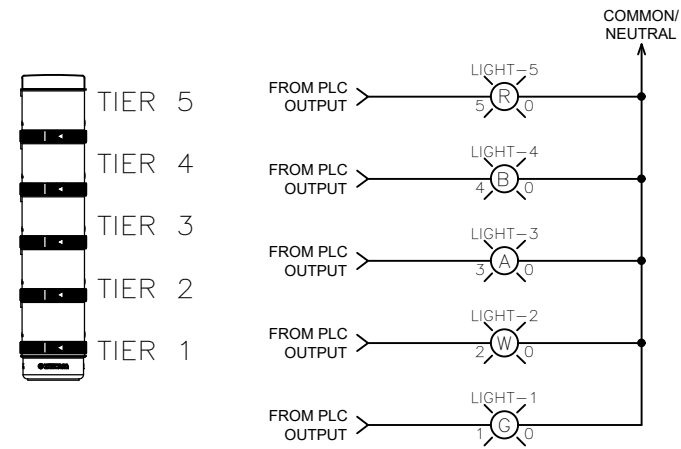


PHOTO EYE & PROXIMITY SWITCH STANDARD WIRING



STACKLIGHT STANDARD WIRING

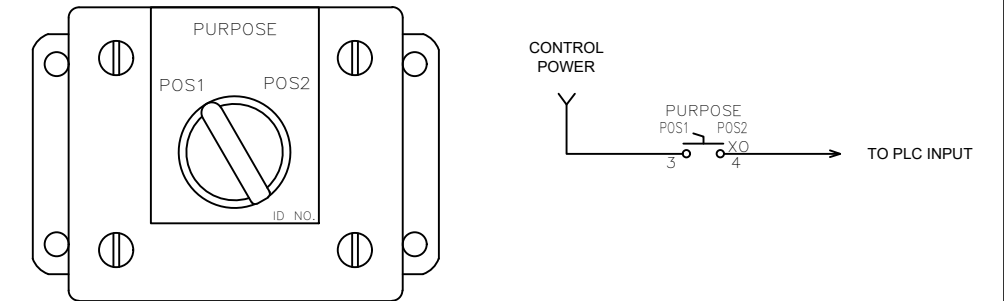


BEACON HIERARCHY

RED	E-STOP BEACON
BLUE	FULL
AMBER	JAM BEACON
WHITE	INFORMATIONAL
GREEN	READY/RUNNING

IF BEACONS ARE TO BE STACKED, BEACONS WILL BE STACKED LISTED (TOP TO BOTTOM).

2-POSITION SELECTOR SWITCH



THROUGH BEAM PHOTO EYE

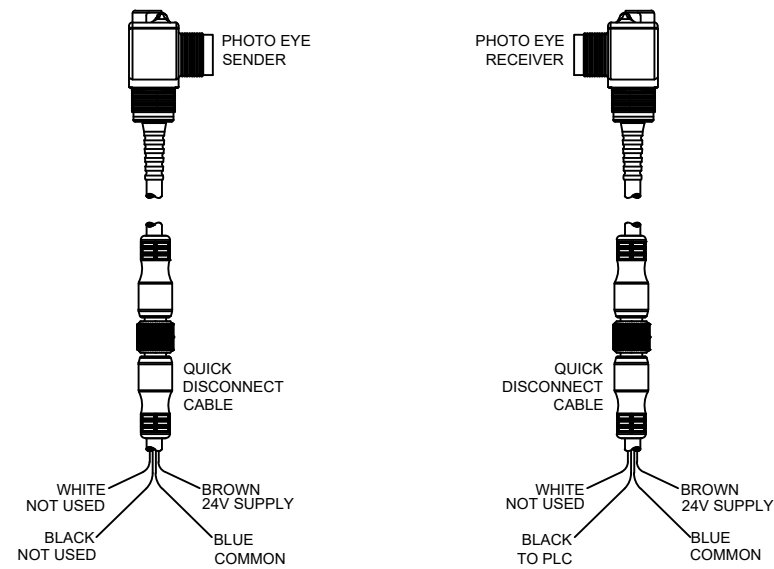


PHOTO EYE LED INDICATORS

LABEL	COLOR	STATE	STATUS
OUTPUT	YELLOW	OFF	Output De-energized
		ON	Output energized
		FLASHING	Output SCP active (DC models only)
MARGIN	ORANGE	OFF	Margin <2.5
		ON	Margin >2.5
		FLASHING	Output SCP active (AC models only)
STATUS	GREEN	OFF	Sensor not powered, output active, SCP active
		ON	Sensor powered

3-POSITION SELECTOR SWITCH

